

9011
12.19

SFA

SANICUBIC® SC

SANICUBIC® 1 SC



SANICUBIC® 2 SC



- EN Sewage Lifting Units • Operation manual
- SV Pumpstation för avloppsvatten • Bruksanvisning för service/installation
- NO Pumpestasjon for avløpsvann • Serviceveiledning

English	3
Svenska	17
Norsk	30

CONTENTS

1. SAFETY	pg.4
1.1 Labelling of instructions in the operating instructions	pg.4
1.2 Qualification and training of staff	pg.5
1.3 Hazards caused by non-observance of the safety instructions	pg.5
1.4 Safety-conscious work.....	pg.5
1.5 Safety instructions for user / operator	pg.5
1.6 Safety instructions for maintenance, inspection and installation work.....	pg.5
1.7 Unauthorised modification and spare parts production	pg.6
1.8 Impermissible operating modes.....	pg.6
2. GENERAL ASPECTS	pg.6
2.1 Affiliation	pg.6
2.2 Inquiries and purchase orders	pg.6
2.3 Technical data	pg.6
2.4 Field of application	pg.7
2.5 Accessories	pg.8
3. TRANSPORT AND INTERMEDIATE WAREHOUSING	pg.8
3.1 Transport.....	pg.8
3.2 Intermediate warehousing/conservation	pg.8
4. DESCRIPTION	pg.8
4.1 General aspects.....	pg.8
4.2 Design and functionality.....	pg.8
5. INSTALLATION	pg.8
5.1 Preparation	pg.8
5.2 Installation.....	pg.9
6. COMMISSIONING	pg.10
7. MAINTENANCE/SERVICING	pg.10
7.1 Inspection and maintenance intervals	pg.10
7.2 Maintenance work	pg.11
8. MALFUNCTIONS, CAUSES AND TROUBLESHOOTING	pg.11
9. WARRANTY	pg.12
10. TECHNICAL CHANGES	pg.12
Appendix A: Assembly example	pg.13
Appendix B: Dimensions.....	pg.14
Appendix C: Section drawing and spare parts list	pg.15

1. SAFETY

WARNING

This device can be used by children who are at least 8 years old and by people with reduced physical, sensory or mental capacities or those without knowledge or experience, if they are properly supervised or if they have been given instructions on safely using the device and the associated risks have been understood. Children should not play with the device. Children should not clean or perform maintenance on the device without supervision.

ELECTRICAL CONNECTIONS:

The electrical installation must be done by a qualified electrical engineer. The device's power supply must be connected to ground (class I) and protected by a high sensitivity differential circuit breaker (30 mA). Devices without plugs must be connected to a main switch on the power supply which disconnects all poles (contact separation distance of at least 3 mm). The connection must be used exclusively to provide the power to the product.

If the power cord is damaged, to prevent possible danger, it must be replaced by the manufacturer, customer service team or a similarly qualified individual.

These operating instructions contain basic instructions which have to be observed during set-up, operation and maintenance. For this reason, these operating instructions must by all means be read before installation and commissioning by the installation technician as well as by the competent specialist staff/user, and must be permanently available at the location of the device.

Not only the general safety instructions mentioned in this main point on safety have to be observed, but also the special safety instructions mentioned in the other main points, for example for private use.

1.1 Labelling of instructions in the operating instructions



Danger

This term defines a high risk of danger, which can lead to death or serious injury, if not avoided.



Dangerous area

This symbol characterises hazards that could lead to death or injury.



Dangerous voltage

This symbol characterises dangers associated with the voltage and provides information on voltage protection.

ATTENTION



Property damage

This symbol, in combination with the keyword **ATTENTION**, characterises dangers to the machine and its proper operation.

It is imperative to observe signs that are attached directly to the machine (for example, rotational direction arrow, sign for fluid connections) and must be kept fully legible.

1.2 Personnel qualifications and training

The staff for operation, maintenance, inspection and installation must have the corresponding qualification for this work. For this reason, the area of responsibility, the competency and the supervision of the staff has to be precisely defined by the company. If the staff does not have the necessary knowledge, then they must be trained and instructed. If and when necessary, this may be carried out by the manufacturer / supplier of the pump on behalf of the pump operator. Moreover, the operator has to ensure that the content of the operating instructions is understood completely by the staff.

1.3 Hazards caused by non-observance of the safety instructions

The non-observation of the safety instructions may endanger persons as well as the environment, and may have consequences for the environment and machine. The non-observation of the safety instructions will result in the loss of all claims for damages.

In detail, the non-observation may cause the following hazards, for example:

- Failure of important machine/system functions
- Failure of prescribed methods for maintenance and repairs
- Danger to persons through electrical, mechanical and chemical hazards
- Danger to the environment through leakage of harmful substances

1.4 Safety-conscious work

The safety instructions mentioned in these operating instructions, the existing national regulations on accident prevention as well as potential in-company work, operating and safety instructions of the user must be observed.

1.5 Safety instructions for user/operator

- If hot or cold machine parts could lead to hazards, these parts have to be protected against touch by the user.
- Touch protection for moving parts (e.g. coupling) must not be removed from the machine being in operation.
- Leakage (of the shaft seal, for example) of hazardous material conveyed (e.g. explosive, toxic, hot) must be removed in such a way that no danger is caused to persons and the environment. Legal regulations have to be observed.
- Hazards caused by electric energy must be excluded (for details here, please refer to the country-specific regulations and the regulations of the local energy supply companies).

1.6 Safety instructions for maintenance, inspection and assembly work

The user has to make sure that all maintenance, inspection and installation work is carried out by authorised and qualified specialist personnel only, who has sufficiently been informed by studying the operating instructions.

Basically, work on the machine may be carried out only at standstill. The procedure to shut down the machine described in the operating instructions must be observed at all times.

Pumps or pump assemblies, which convey media hazardous to health, must be decontaminated. Immediately after completing the work, all safety and protection devices have to be fitted again and/or have to be made functional again.

Before recommissioning, the points listed in the chapter on initial commissioning have to be observed.

1.7 Unauthorised modification and spare parts production

Modifications or changes to the machine shall be permissible only after consultation with the manufacturer. Original spare parts and accessories authorised by the manufacturer serve to ensure safety. The use of other parts may result in the loss of liability for the consequences that may occur.

1.8 Impermissible operating modes

The operational safety of the machine supplied is ensured only when used as intended according to Section 2. *General aspects* of the operating instructions. The threshold values indicated in the data sheet must by no means be exceeded.

2. GENERAL ASPECTS

2.1 Affiliation

These operating instructions are valid for the sewage lifting units of the SANICUBIC® SC series.

In case of non-observation to the operating instructions - in particular the safety instructions - as well as unauthorised modification of the device or the installation of non-original spare parts the warranty claims will automatically become void. The manufacturer assumes no liability for any damage resulting from this!

As any other electrical appliance, this product can also fail due to missing main power or a technical defect. If a damage can occur as a result, an emergency power generator, a manual membrane pump, a second system (double system) and/or a mains-independent alarm system should be planned according to the application. We as manufacturers will be happy to advise you also after the purchase. In case of defects or damages, please get in touch with your dealer.

Products in the range:

SANICUBIC® 1 SC3.0 T	SANICUBIC® 2 SC3.0 T
SANICUBIC® 1 SC4.0 T	SANICUBIC® 2 SC4.0 T
SANICUBIC® 1 SC5.5 T	SANICUBIC® 2 SC5.5 T
SANICUBIC® 1 SC7.5 T	SANICUBIC® 2 SC7.5 T

2.2 Inquiries and purchase orders

Please send your inquiries and orders to your specialist dealer.

2.3 Technical data

Single systems:

Type	Input Power P1 [kW]	Nominal Power P2 [kW]	Voltage U [V]	Rated current I _{MAX} [A]	Speed (50 Hz) [min ⁻¹]	Feed volume [m ³ /h]	Pumping head [m]	Pressure connection
SANICUBIC® 1 SC3.0 T	4.0	3.0	400	6.9	1400	130	10	DN 100
SANICUBIC® 1 SC4.0 T	5.5	4.0	400	11.2	1400	140	13	DN 100
SANICUBIC® 1 SC5.5 T	6.3	5.5	400	12.1	1400	160	18	DN 100
SANICUBIC® 1 SC7.5 T	8.7	7.5	400	16.9	1400	165	22	DN 100

Type	Gross volume [l]	Switching volume [l]	Inlet connection	Free passage [mm]	Weight [kg]	Dimensions [mm]	Minimum space requirement [m]
SANICUBIC® 1 SC3.0 T	480	270	DN 150	80	210	Ø1000	2x1.5
SANICUBIC® 1 SC4.0 T	480	270	DN 150	80	220	Ø1000	2x1.5
SANICUBIC® 1 SC5.5 T	480	270	DN 150	100	225	Ø1000	2x1.5
SANICUBIC® 1 SC7.5 T	480	270	DN 150	100	240	Ø1000	2x1.5

Maximum media temperature: 55°C

Double systems:

Type	Input Power P1 [kW]	Nominal Power P2 [kW]	Voltage U [V]	Rated current I _{MAX} [A]	Speed (50 Hz) [min ⁻¹]	Feed volume [m ³ /h]	Pumping head [m]	Pressure connection
SANICUBIC® 2 SC3.0 T	4.0	3.0	400	6.9	1400	120	10	DN 100
SANICUBIC® 2 SC4.0 T	5.5	4.0	400	11.2	1400	140	13	DN 100
SANICUBIC® 2 SC5.5 T	6.3	5.5	400	12.1	1400	160	18	DN 100
SANICUBIC® 2 SC7.5 T	8.7	7.5	400	16.9	1400	165	22	DN 100

Type	Gross volume [l]	Switching volume [l]	Inlet connection	Free passage [mm]	Weight [kg]	Dimensions [mm]	Minimum space requirement [m]
SANICUBIC® 2 SC3.0 T	1000	500	DN 150	80	370	1450x950	2.5x1.5
SANICUBIC® 2 SC4.0 T	1000	500	DN 150	80	385	1450x950	2.5x1.5
SANICUBIC® 2 SC5.5 T	1000	500	DN 150	100	400	1450x950	2.5x1.5
SANICUBIC® 1 SC7.5 T	1000	500	DN 150	100	425	1450x950	2.5x1.5

Maximum media temperature: 55°C

Materials

Shaft sealing	Motor side	Shaft seal						
	Pump-side	up to 4 kW mechanical seal, from 5.5 kW chilled casting seal						
Tank	PE HD	<table border="1"> <tbody> <tr> <td>Pump housing</td> <td>Cast iron</td> </tr> <tr> <td>Sealing materials</td> <td>NBR</td> </tr> <tr> <td>Impeller nut</td> <td>Stainless steel</td> </tr> </tbody> </table>	Pump housing	Cast iron	Sealing materials	NBR	Impeller nut	Stainless steel
Pump housing	Cast iron							
Sealing materials	NBR							
Impeller nut	Stainless steel							
Seel carrier	Cast iron							
Impeller	Cast iron							
Screws	Steel, galvanized							

2.4 Field of application

The sewage lifting units of the series SANICUBIC® SC serve to dispose of (collecting and conveying) domestic and industrial dirt water and wastewater, which occur below the sewer backwater level. Double systems are used everywhere, where an interruption of the sewage disposal must not occur according to DIN 1986.

The sewage lifting units of the series SANICUBIC® SC must not be used to convey waste waters containing substances which attack or damage the materials of the pump or of the collecting tank.

Operating Limits:

- **The lifting unit is not designed for continuous operation! The conveying data stated on the factory plate apply only for intermittent periodic duty (S3 25 %).**
- **The maximum permissible feed flow must always be smaller than the feed volume of a pump (see type plate).**

2.5 Accessories

The sewage lifting units of series SANICUBIC® SC are delivered with:

- Level control and switch box

3. TRANSPORT AND INTERIM STORAGE

3.1 Transport

The sewage lifting units of the series SANICUBIC® SC must not be thrown or dropped. Moreover, they shall be kept horizontally during transport.

3.2 Intermediate warehousing/conservation

For intermediate warehousing and conservation, it is sufficient to store the plant at a cool, dark, dry and frost-proof place. The units should stand horizontally.

4. DESCRIPTION

4.1 General aspects

The sewage lifting units of the series SANICUBIC® SC are delivered ready to use, fully flood-proof single or double systems with gas and odour-proof plastic collecting tank. They operate with vertical waste water pumps without blockage and automatic level control. They are equipped completely with a switch box and all necessary switching elements.

4.2 Design and functionality

Due to an inlet DN 150 (flange connection), the waste water (natural gradient) flows into the collecting tank of the sewage lifting unit SANICUBIC® SC. The collecting tank is designed for **pressureless operation**, that is the occurring waste water is buffered without pressure and then conveyed into the sewage channel.

In the dip tube that is screwed on the upper side of the tank, the water rises and keeps compressing the air being in the dip tube so long until the pressure operates the dip tube switch in the switch box. As a result, the pump is switched on and conveys the water from the tank via the pressure line into the higher channel. With the lifting unit SANICUBIC® 2 SC, the switch box contains a toggle switch which causes the pumps to turn on alternately. Only in overload operation (one pump cannot managed the inflowing amount of water), the second pump will turn on the second pump.

A check valve in the pressure line (to be provided acc. to DIN 19 760) prevents the water from flowing back out of the pressure line into the tank.

The units are equipped with a potential-free contacts to which alarm equipment (bell, horn, buzzer et cetera) can be connected.

In the switch box, a motor protection relay is located upstream the motor which automatically switches off the motor in case of overload (too high power consumption).

5. INSTALLATION

5.1 Preparations

- Trouble-free operation of the lifting unit depends not least on a correct and impeccable assembly. For this reason, the following points must be observed:

- The installation location should be a well-ventilated, dry and frost-free room.
- The installation site must be amply dimensioned. The room height should be approx. 2 to 2.5 m. According to DIN 1986, Part 3, the following applies: "All plant components... (and)... all operating elements... must be safely accessible at any time and possible to be operated without any problems. ...These plant components must not be obstructed by stored goods, furniture, coverings or similar items...".
- The foundation of the installation room must be designed to meet potentially occurring loads depending on the size of the plant.
- In rooms which often lie lower, ground water or seepage water often accumulates. That is why in one corner of the room, there should be a small tank, where these liquids can accumulate and can be disposed of using a cellar drainage pump.
- A ceiling hook above the installation site of the lifting unit facilitates the assembly as well as potential maintenance and repair work on the pump.
- Before starting installation, all structural and line measurements should be checked and compared with the dimensions of the unit. While doing so, it has to be particularly made sure that the constantly declining inlet line does not lie lower than the inlet height of the collecting tank.

5.2 Assembly

During installation, it is absolutely necessary to ensure a stress-free and tight installation of the pipelines and fittings.

5.2.1 Setting up

The sewage lifting units of the series SANICUBIC® SC are aligned at the installation site according to potentially existing pipelines. Here, they are set up exactly horizontal.

"The sewage lifting unit has to be secured by means of suitable attachment equipment on site against twisting and buoyant floating!"

5.2.2 Inlet

The inlet line is connected to the flange DN 150. It must always be installed on a downhill incline. Uphill sections in the inlet are not permitted.

5.2.3 Discharge line

Installation of a non-return valve in the discharge line of the lifting unit must always be installed:

DIN 19 760, Part 3: "Following interruption of the pump delivery, a backflow preventer must automatically impede the backflow of the waste water from the pressure line. When the pump starts delivering, the backflow preventer must automatically open..."

It is recommended to install a shut-off valve behind the non-return valve in order to facilitate cleaning or potential replacement of the non-return valve.

The discharge line must be installed constantly rising and without unnecessary leaps in an arc beyond the flood level and then constantly descending toward the sewer connections. Pipelines and fittings must, where necessary, be supported using pipe clamps or brackets.

5.2.4 Ventilation

The tank ventilation (flange DN 100) is installed either directly to the venting line of the building or guided separately above the roof.

5.2.5 Electrical Connection

Safety precautions:

- All electrical systems used must comply with the standard IEC 364 / VDE 0100, that is sockets, for example, must have earth terminals.
- The electrical connection may be carried out by an electrically qualified person! The pertinent VDE regulation 0100 must be observed!
- The electrical network, to which the plant is connected, must have been fitted with a highly sensitive FI protected switch IA <30 mA before the control, or to prevent a failure of the control when the FI protected switch trips, one FI protected switch per pump has to be installed between the control and

pump. For installations in bathrooms and showers, the corresponding regulations of DIN VDE 0100 Part 701 have to be observed.

- **Please observe the regulations of EN 12 056-4.**
- **For AC power connection, external protection has to be carried out with circuit breakers of characteristic K, generally 3-pole mechanically locked. In this way, complete supply isolation is ensured and 2-phase run excluded.**
- **In dry rooms, all electrical devices such as controls, alarm transmitters and sockets must be installed flood-proof.**
- **Attention! Before every installation and disassembly of the pump or other work on the plant, it must be disconnected from the mains supply.**
- **The motor can overheat due to overload. In case of overheating, never touch the hot surfaces on the motor.**
- **When using an extension cable, it must meet the quality of the supplied connecting cable.**

The switchbox is fastened to the wall, and the electrical connecting cables are connected according to the circuit diagram. While doing so, it has to be seen to it that the electrical system complies with the applicable VDE guidelines.

The circuit diagram for the wiring of the lifting unit is in the switchbox and should be left there in order to facilitate the work of the maintenance and customer service personnel.

6. COMMISSIONING

Before commissioning, all connections should be checked again for correct installation. The shut-off valve must be open.

Now the plug is put into the socket and the pump's direction of rotation checked. This is done by briefly setting the manual/0/automatic switch to "Manual". When the motor comes to a standstill, the direction of rotation can be compared with the correct direction of rotation (rotation arrow) on the top surface at the sight glass. If the pump rotates the wrong way round, two of the three phases will have to be interchanged.

 **DANGER**



All power supplies must be disconnected !

Now the manual/0/automatic switch is set to "Automatic" and a test run is carried out. For this purpose, the collecting tank is filled via the normal inlet (washbasin, toilet et cetera). The plant must automatically switch on, pump the tank empty and switch off again. After switching off, no water may flow from the pressure line back into the tank, and the pitot tube in the tank must have fully emerged out of the water. If this is not the case, the run-on time will have to be extended.

During the test run all lines and fitting are checked again for tightness and newly caulked.

If the lifting unit works properly, the switch will keep being in "Automatic" position.

7. MAINTENANCE/SERVICING

7.1 Inspection and maintenance intervals

Inspection and maintenance intervals according to DIN 1986 (German standard) Part 31: "Effluent lifting installations should be checked once a month by the customer by monitoring one switching cycle for operational capability and leakage...The system is to be serviced by a specialist. Inspection and maintenance intervals should be no longer than:

- 3 months for systems in commercial operations,
- 6 months for collective dwelling,
- 1 year for individual housing".

7.2 Maintenance work

 **DANGER**



All power supplies must be disconnected!

7.2.1 Collecting tank

Open the inspection cover and flush the tank by means of using a hose in order to loosen dirt deposits on the tank walls.

7.2.2 Non-return valve

Open the inspection cover and clean the interior of the non-return valve.

7.2.3 Miscellaneous

All further maintenance works must be carried out by qualified service personnel.

8. MALFUNCTIONS, CAUSES AND TROUBLESHOOTING

 **DANGER**



All power supplies must be disconnected!

ATTENTION



To dismantle the motor unit from the tank, the 4 hexagon screws (Item 16 of the spare parts list) must not be loosened, because otherwise the mechanical seal is destroyed, oil escapes and the warranty will become void! If only the motor unit shall be dismantled, all 4 screws (Item 13 of the spare parts list) have to be loosened. If the complete pump shall be dismantled from the tank, all 4 nuts (item 23 of the spare parts list) must be loosened.

Malfunction	Cause	Troubleshooting
1. Motor does not rotate	<ul style="list-style-type: none"> - Too low voltage, voltage missing - Incorrect power connection - Power cable defective - Impeller blocked - Motor protection switched off due to overheating, blockage, voltage error - Controlling error - Motor defective 	<ul style="list-style-type: none"> - Check voltage supply - Correction - Replacement / customer service - Clean - Check / customer service - Check / customer service - Replacement / customer service

Malfunction	Cause	Troubleshooting
2. Motor rotates, but does not convey	<ul style="list-style-type: none"> - Impeller clogged or worn - Check valve clogged - Shut-off valve clogged or closed - Pressure line clogged - Intake socket clogged - Direction of rotation incorrect - Water shortage in the tank - Tank ventilation clogged - Pump housing ventilation clogged 	<ul style="list-style-type: none"> - Clean/replace - Clean - Clean/open - Clean - Clean - Correction - Switch off/ Customer service - Clean - Clean
3. Motor runs, but switches off	<ul style="list-style-type: none"> - Voltage wrong, or fluctuates - Thermal protection incorrectly designed - Power consumption too high 	<ul style="list-style-type: none"> - Correction/Customer service - Check/Customer service - Customer service
4. Motor does not switch off	<ul style="list-style-type: none"> - Controlling error - Pitot tube clogged 	<ul style="list-style-type: none"> - Customer service department - Replacement/ Customer service department

9. WARRANTY

As manufacturer, we assume a warranty for this device for 24 months as of purchase date.

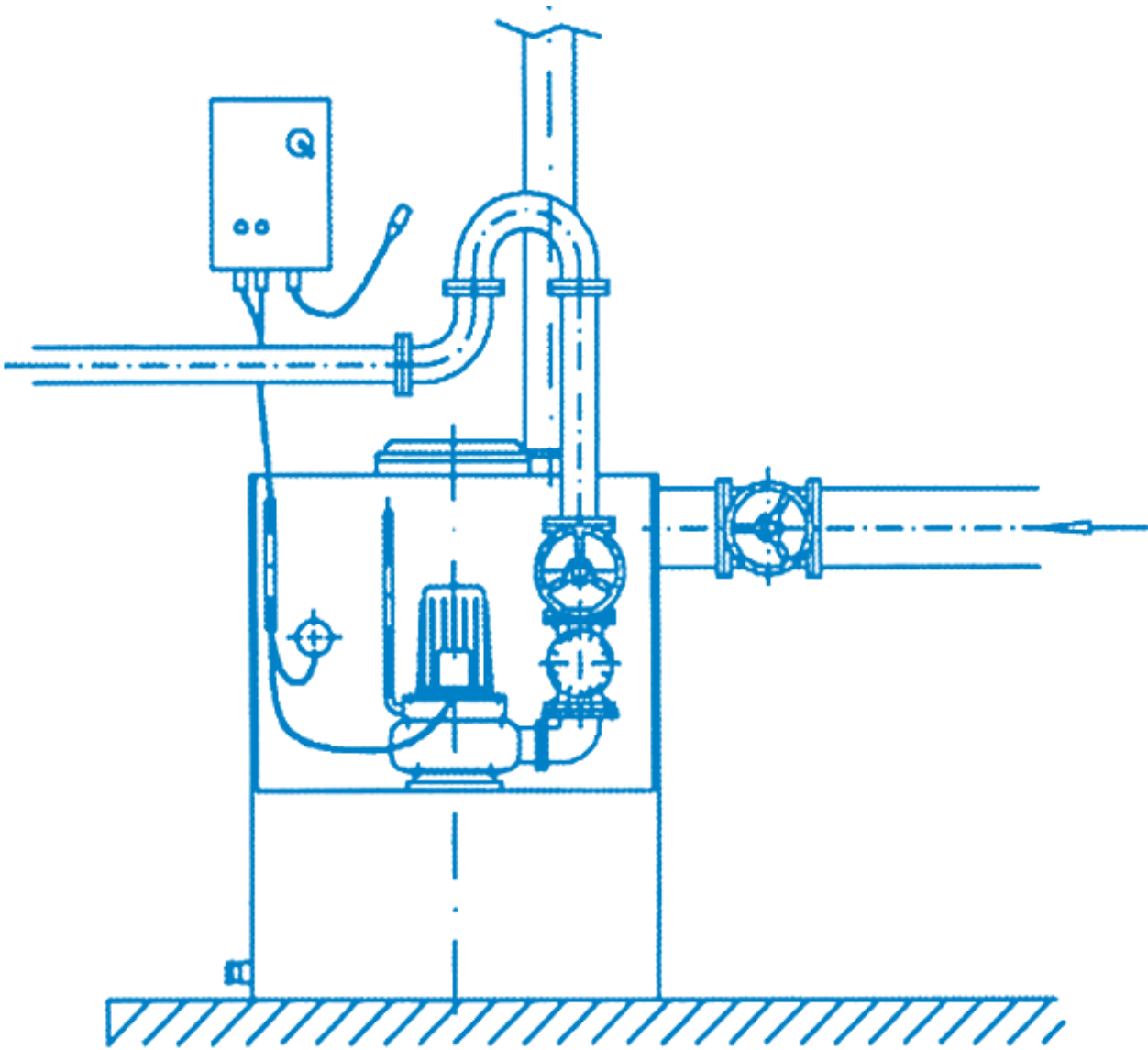
The sales receipt is considered as proof of warranty. Within this warranty period, we will at our discretion, either by means of repair or replacement, correct free of charge all defects due to material or manufacturing defects of the unit.

The warranty excludes all damage attributable to improper use or wear and tear. We do not assume any liability for consequential damages which occur due to a failure of the device.

10. TECHNICAL MODIFICATIONS

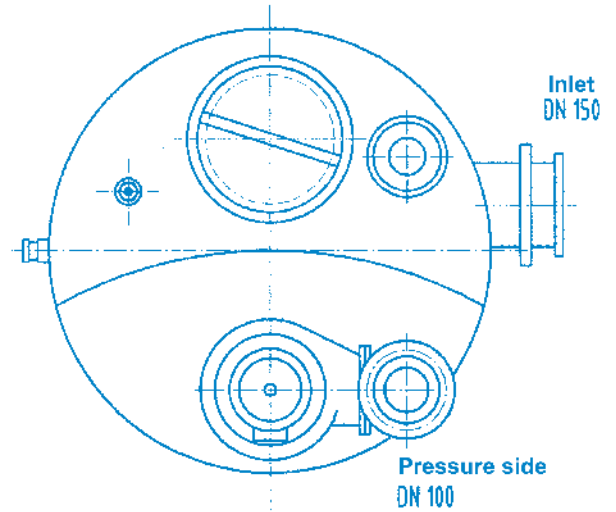
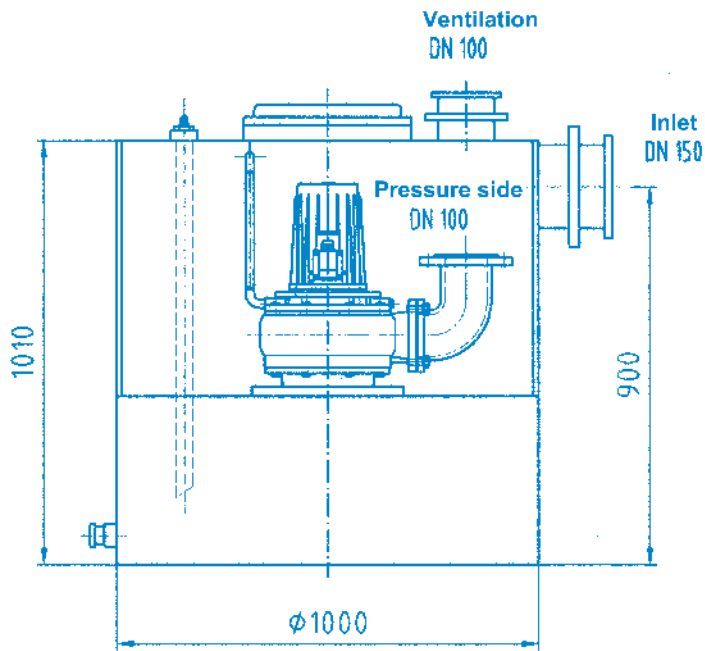
We reserve the right to make technical changes in terms of progress.

Appendix A: Assembly example

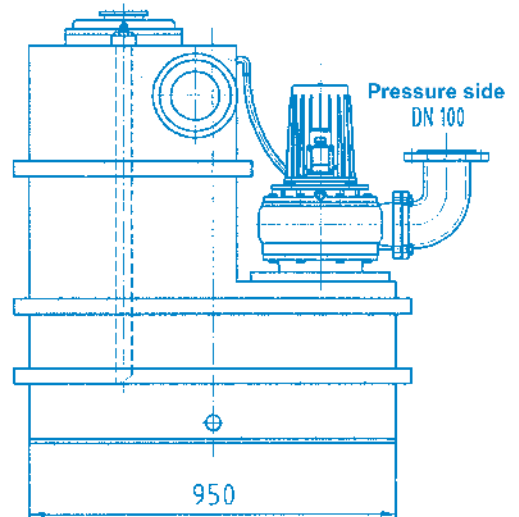
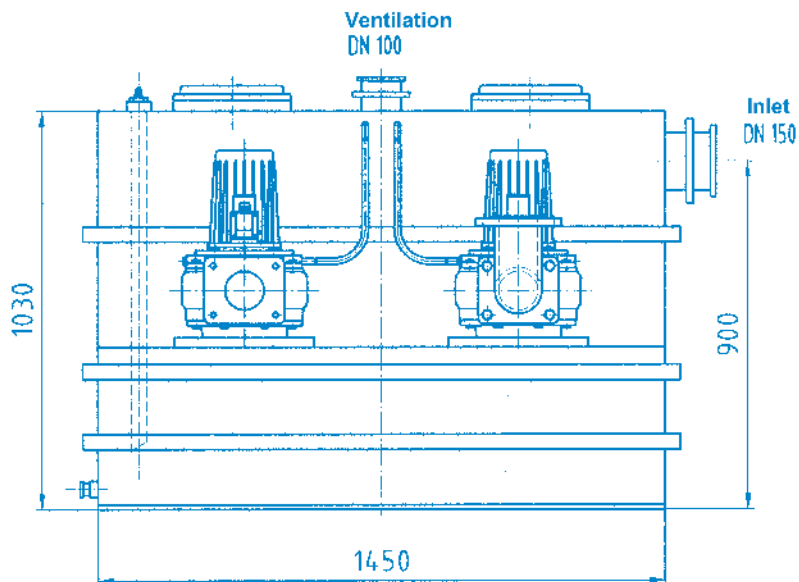


Appendix B: Dimensions

SANICUBIC® 1 SC

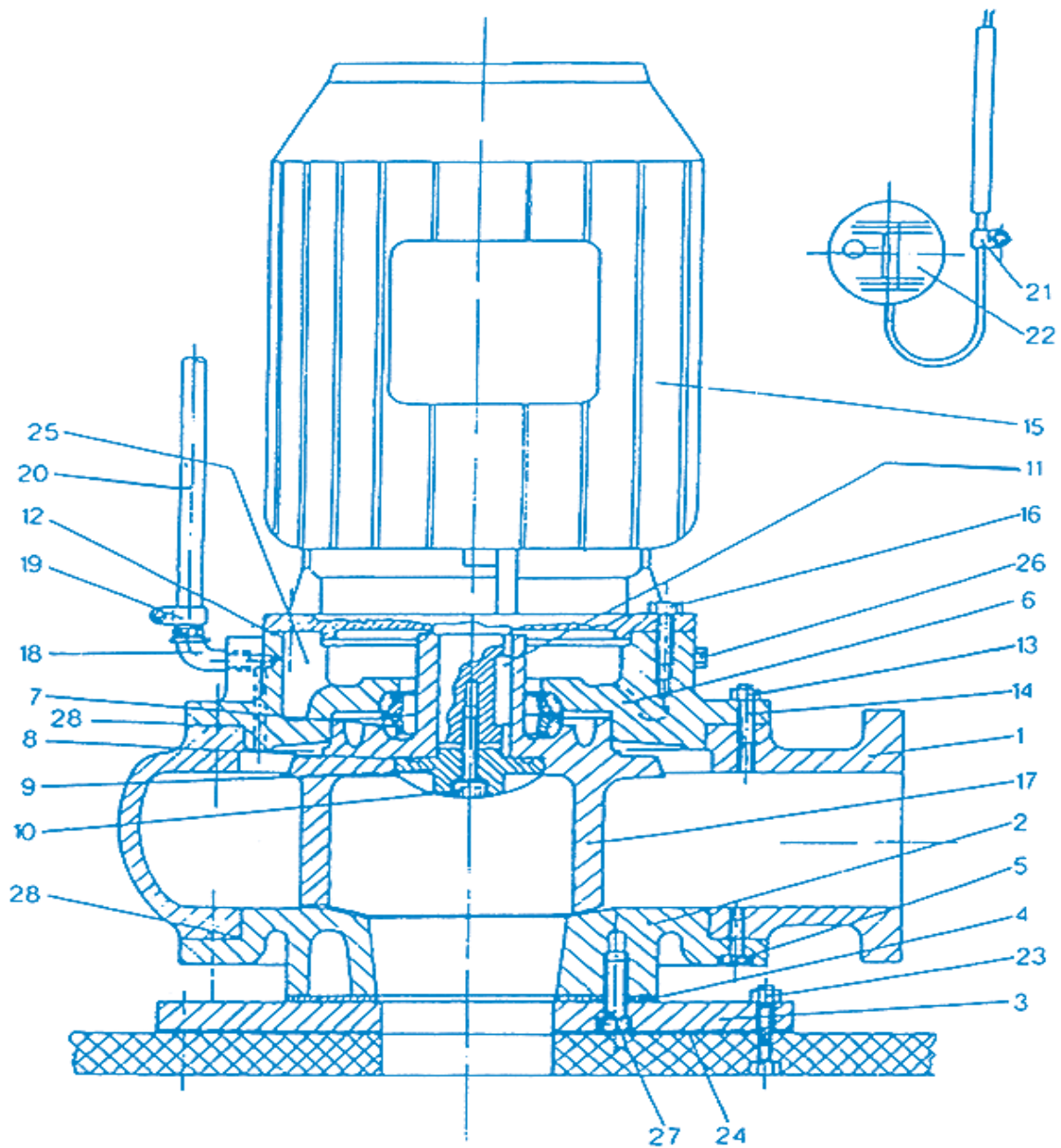


SANICUBIC® 2 SC



Appendix C: Sectional drawing and spare parts list

Sectional drawing



Spare parts list

Switchgears:

Quantity	Designation	Article No.
1	Switchgear ZPS1 (3.0/4.0/5.5 kW)	256300
1	Switchgear ZPS1-SD (7.5 kW)	215402
(1)	Switchgear ZPS2 (3.0/4.0/5.5 kW)	255400
(1)	Switchgear ZPS2-SD (7.5 kW)	215403
1 (1)	Small compressor set	71035

Spare parts list, pump

Item	Quantity	Designation	Article No.
1	1 (2)	Pump housing SANICUBIC® SC 3.0 and 4.0	ZE1384
	1 (2)	Pump housing SANICUBIC® SC 5.5 and 7.5	ZE1138
2	1 (2)	Cover QSHE/101 SANICUBIC® SC 3.0 and 4.0	ZE1129
	1 (2)	Cover QSHE/100Z-3 SANICUBIC® SC 5.5 and 7.5	120141
3	1 (2)	Reception flange plate	200,005
4	1 (2)	Flat seal 340 x 105 x 3	ZE1566
5	8 (16)	Hexagon screw M10x25	117724
6	1 (2)	Seal carrier GG SANICUBIC® SC 3.0 und 4.0	145015
	1 (2)	Seal carrier GG SANICUBIC® SC 5.5 und 7.5	145023
7	1 (2)	Mechanical seal 3.0 and 4.0 kW	279950
	1 (2)	Chilled casting seal 5.5 and 7.5 kW	80115
8	1 (2)	O-ring 50 x 3	80114
9	1 (2)	Impeller cap SANICUBIC® SC 3.0 and 4.0	120127
	1 (2)	Impeller cap SANICUBIC® SC 5.5 and 7.5	120143
10	1 (2)	Hexagon screw M 10 x 30	ZE1237
	1 (2)	Sealing disc Cu 10 x 20 x 2.0 mm	145013
12	1 (2)	O-ring 190 x 3	60107
13	8 (16)	Hexagon screw M 10 x 30 SANICUBIC® SC 3.0 and 4.0	ZE1237
	8 (16)	Hexagon screw M 12 x 30 SANICUBIC® SC 5.5 and 7.5	ZE1516
15	1 (2)	Motor unit 3.0 kW with impeller	111103
	1 (2)	Motor unit 4.0 kW with impeller	111104
	1 (2)	Motor unit 5.5 kW with impeller	111107
	1 (2)	Motor unit 7.5 kW with impeller	111108
16	4 (8)	Hexagon screw M 12 x 25	ZE1130
	4 (8)	Spring washer B 12	ZE1302
17	1 (2)	Impeller D=200 mm, 3.0 kW	120134c
	1 (2)	Impeller D=220 mm, 4.0 kW	120134e
	1 (2)	Impeller D=230 mm, 5.5 kW	120142a
	1 (2)	Impeller D=250 mm, 7.5 kW	120142b
18	1 (2)	Angle grommet R 3/8"	117031
19	2 (4)	Hose clamp	ZE1582
20	1 (2)	Venting hose	117030
23	8 (16)	Hexagon nut M 12	ZE1382
	8 (16)	Spring washer B 12	ZE1302
24	1 (2)	Flat seal DN 100	ZE1121
25	1 (2)	Oil filling 0.8 l, SANICUBIC® SC 3.0 and 4.0	14009
	1 (2)	Oil filling 1.0 l, SANICUBIC® SC 5.5 and 7.5	14009
26	1 (2)	Oil filling screw 3/8" thread	140025
	1 (2)	Seal ring 17 x 22 x 1.5 mm, Cu	140030
27	4 (8)	Hexagon socket screw M 16 x 30	ZE1647
28	1 (2)	O-Ring 236 x 3 SANICUBIC® SC 3.0 and 4.0	120131
	1 (2)	O-Ring 270 x 3 SANICUBIC® SC 5.5 and 7.5	120139

1. SÄKERHET	s.18
1.1 Identifiering av varningar	s.18
1.2 Behörighet och utbildning för personal	s.18
1.3 Risker om säkerhetsföreskrifterna inte följs	s.19
1.4 Arbeta säkert.....	s.19
1.5 Säkerhetsföreskrifter för operatören/användaren	s.19
1.6 Säkerhetsföreskrifter för underhållsarbete, kontroll och montering	s.19
1.7 Förändring och egen tillverkning av reservdelar	s.19
1.8 Obehöriga driftsätt.....	s.19
2. ALLMÄNT	s.20
2.1 Introduktion	s.20
2.2 Frågor och beställningar	s.20
2.3 Tekniska data	s.20
2.4 Tillämpningsområde	s.21
2.5 Leveransens innehåll	s.21
3. TRANSPORT/TILLFÄLLIG FÖRVARING	s.22
3.1 Transport.....	s.22
3.2 Tillfällig förvaring, bevarande.....	s.22
4. BESKRIVNING	s.22
4.1 Allmän beskrivning.....	s.22
4.2 Konstruktion och funktion	s.22
5. INSTALLATION	s.22
5.1 Förberedande arbete.....	s.22
5.2 Montering	s.23
6. IDRIFTTAGNING	s.24
7. UNDERHÅLL/SERVICE	s.24
7.1 Schema för kontroll och underhåll	s.24
7.2 Underhålls- och kontrollmoment.....	s.24
8. DRIFTSTÖRNING : ORSAKER OCH ÅTGÄRDER ..	s.25
9. GARANTI	s.25
10. TEKNISKA ÄNDRINGAR	s.26
Bilaga A : Monteringsexempel.....	s.26
Bilaga B : Mått	s.27
Bilaga C : Sektionsritning och Lista över reservdelar.....	s.28

1. SÄKERHET

VARNING

Denna enhet kan användas av barn från och med 8 års ålder och av personer med reducerad fysisk, sensorisk eller mental förmåga eller av personer med bristande erfarenhet och kunskap, om de får vederbörlig tillsyn eller om de får instruktioner om hur enheten ska användas på ett säkert sätt och om man har förstått de risker som användningen innebär. Barn ska inte leka med enheten. Rengöring och underhåll bör inte utföras av barn utan tillsyn.

ELEKTRISK ANSLUTNING :

Elanslutningen måste göras av en utbildad och behörig elektriker. Strömförsörjningskretsen måste vara ansluten till jord (klass I) och skyddas av en känslig jordfelsbrytare (30 mA). Enheter utan uttag måste anslutas till en huvudbrytare på strömförsörjningen som bryter alla poler (minsta kontaktavstånd 3 mm).

Anslutningen ska endast användas till enheten.

Om strömkabeln är skadad måste den bytas ut av tillverkaren, dess kundservice eller någon med liknande kvalifikationer för att undvika fara.

Denna bruksanvisning innehåller viktiga instruktioner som måste följas vid placering, drift och underhåll. Av denna anledning måste den alltid läsas av installatören före installationen och idrifttagningen, samt av ansvariga specialister/operatörer. Den måste alltid finnas tillgänglig på platsen för drift/installation.

Det är inte bara de allmänna säkerhetsanvisningarna i avsnitt 1. Säkerhet som måste följas, även de särskilda säkerhetsinstruktionerna som finns i andra delar, exempelvis för hushållsbruk, måste följas.

1.1 Identifiering av varningar



FARA

Fara

Symbolen anger att en stora fara föreligger som kan leda till döden eller allvarliga skador om den inte undviks.



Farligt område

Symbolen anger att en fara föreligger som kan leda till döden eller skador.



Farlig elektrisk spänning

Symbolen anger att en elektrisk fara föreligger och ger information om skydd mot elektrisk spänning.

OBSERVERA



Materiella skador

I kombination med nyckelordet OBSERVERA anger symbolen att en fara föreligger för maskinen och dess funktion.

Instruktionerna som finns angivna på maskinen, exempelvis en pil som visar rotationsriktningen och vätskeanslutningar, måste följas och bevaras i läsbart skick.

1.2 Behörighet och utbildning för personal

Personalen som ansvarar för drift, underhåll, kontroll och montering måste ha lämpliga kvalifikationer för detta arbete. Ansvarsområde, kompetens och övervakning av personal

måste preciseras av operatören. Om personalen inte har den nödvändiga kunskapen måste de få utbildning. Vid behov kan den genomföras av tillverkaren/leverantören på operatörens begäran. Operatören måste säkerställa att personalen förstår allt innehåll i bruksanvisningen.

1.3 Risker om säkerhetsföreskrifterna inte följs

Att ignorera säkerhetsföreskrifterna kan medföra att både personer, miljön och maskinen utsätts för fara. Att ignorera säkerhetsföreskrifterna kan leda till att alla skadeståndsanspråk blir ogiltiga. Om föreskrifterna inte följs kan det exempelvis medföra följande faror :

- betydande fel på maskinen/anläggningen
- fel i föreskrivna metoder för underhåll och service
- fara för personer orsakade av åtgärder av elektrisk, mekanisk eller kemisk natur
- fara för miljön genom utsläpp av farliga ämnen.

1.4 Arbeta säkert

Förutom de säkerhetsföreskrifter som finns i denna bruksanvisning, finns det gällande nationella regler för förebyggande av olyckor och regler för säkerhet, arbete och interna funktioner hos operatören som måste följas.

1.5 Säkerhetsföreskrifter för operatören/användaren

- Om varma och kalla delar utgör faror, måste de säkras mot beröring av kunden.
- Skyddet mot oavsiktlig kontakt med maskinens rörliga delar får inte avlägsnas under driften.
- Läckage (exempelvis från axeltätningen) av farliga material som transporteras (exempelvis som är explosiva, giftiga eller heta) måste avlägsnas för att inte äventyra människor och miljö. De juridiska bestämmelserna måste följas.
- Risker på grund av elektricitet måste undvikas (för mer information om detta område, se gällande bestämmelser och information från lokala el-leverantörer).

1.6 Säkerhetsföreskrifter för underhållsarbete, kontroll och montering

Operatören måste säkerställa att allt underhåll, kontroller och montering utförs av kvalificerad och behörig personal, som har informerats genom att ha gått igenom bruksanvisningen.

Arbete på maskinen ska huvudsakligen utföras när den är stoppad. Proceduren för att stänga av maskinen, som beskrivs i bruksanvisningen, måste följas.

Pumpar eller grupper av pumpar som pumpar undan vätskor som är farliga för hälsan måste dekontamineras. Omedelbart efter åtgärderna måste alla skydds- och säkerhetsanordningar sättas tillbaka eller sättas i funktion igen.

Innan driftsättning måste punkterna i avsnitt *6. Drifttagning* ha gått igenom .

1.7 Förändring och egen tillverkning av reservdelar

Ändring eller modifiering av maskinen är endast tillåten efter samråd med tillverkaren. Endast originalreservdelar och tillbehör som har godkänts av tillverkaren kan garantera säkerheten. Användning av andra delar kan leda till att ansvaret för följskador upphör att gälla.

1.8 Obehöriga driftsätt

De levererade maskinernas driftsäkerhet kan endast garanteras om de används i enlighet med avsnitt *2. Allmänt* i bruksanvisningen. De gränsvärden som anges i den tekniska informationen får inte överskridas.

2. ALLMÄNT

2.1 Introduktion

Denna bruksanvisning avser stationer för pumpning av loppsvatten i serien SANICUBIC® SC.

Om inte denna bruksanvisning följs, i synnerhet säkerhetsföreskrifterna, och om enheten har förändrats på eget bevåg, eller om inte originalreservdelar används, förfaller alla garantikrav automatiskt. Tillverkaren ansvarar inte för skador till följd av detta!

Precis som alla andra elektriska apparater kan denna produkt också sluta fungera på grund av avsaknad av nätspänning eller ett tekniskt fel. Om detta skulle kunna medföra skada för er ska det finnas tillgängligt en nödenhet, en manuell membranpump, en andra installation (dubbel installation) och/eller en larmanordning som är oberoende av nätet, beroende på användningsområde. Som tillverkare står vi till ert förfogande för rådgivning, även efter köpet. I händelse av fel eller skador, kontakta din återförsäljare.

Produkter i serien :

SANICUBIC® 1 SC3.0 T	SANICUBIC® 2 SC3.0 T
SANICUBIC® 1 SC4.0 T	SANICUBIC® 2 SC4.0 T
SANICUBIC® 1 SC5.5 T	SANICUBIC® 2 SC5.5 T
SANICUBIC® 1 SC7.5 T	SANICUBIC® 2 SC7.5 T

2.2 Frågor och beställningar

Vänligen skicka era frågor och beställningar till er specialiserade återförsäljare.

2.3 Tekniska data

Enkel installation :

Typ	Ineffekt P1 [kW]	Märkeffekt P2 [kW]	Spänning U [V]	Nominell ström I _{MAX} [A]	Rotations-hastighet (50 Hz) [min ⁻¹]	Debet [m ³ /h]	Lyfthöjd [m]	Fläns-pump
SANICUBIC® 1 SC3.0 T	4,0	3,0	400	6,9	1400	130	10	DN 100
SANICUBIC® 1 SC4.0 T	5,5	4,0	400	11,2	1400	140	13	DN 100
SANICUBIC® 1 SC5.5 T	6,3	5,5	400	12,1	1400	160	18	DN 100
SANICUBIC® 1 SC7.5 T	8,7	7,5	400	16,9	1400	165	22	DN 100

Typ	Bruttovoly m [l]	Arbetsvoly m [l]	Inlopp	Fri passage [mm]	Vikt [kg]	Mått [mm]	Minsta utrymme som krävs [m]
SANICUBIC® 1 SC3.0 T	480	270	DN 150	80	210	Ø 1000	2x1,5
SANICUBIC® 1 SC4.0 T	480	270	DN 150	80	220	Ø 1000	2x1,5
SANICUBIC® 1 SC5.5 T	480	270	DN 150	100	225	Ø 1000	2x1,5
SANICUBIC® 1 SC7.5 T	480	270	DN 150	100	240	Ø 1000	2x1,5

Maximal vätsketemperatur : 55°C

Dubbel installation :

Typ	Ineffekt P1 [kW]	Märkeffekt P2 [kW]	Spänning U [V]	Nominell ström I _{MAX} [A]	Rotationshastighet (50 Hz) [min ⁻¹]	Debet [m ³ /h]	Lyfthöjd [m]	Flänspump
SANICUBIC® 2 SC3.0 T	4,0	3,0	400	6,9	1400	120	10	DN 100
SANICUBIC® 2 SC4.0 T	5,5	4,0	400	11,2	1400	140	13	DN 100
SANICUBIC® 2 SC5.5 T	6,3	5,5	400	12,1	1400	160	18	DN 100
SANICUBIC® 2 SC7.5 T	8,7	7,5	400	16,9	1400	165	22	DN 100

Type	Bruttovolym [l]	Arbetsvolym [l]	Inlopp	Fri passage [mm]	Vikt [kg]	Mått [mm]	Minsta utrymme som krävs [m]
SANICUBIC® 2 SC3.0 T	1000	500	DN 150	80	370	1450x950	2,5x1,5
SANICUBIC® 2 SC4.0 T	1000	500	DN 150	80	385	1450x950	2,5x1,5
SANICUBIC® 2 SC5.5 T	1000	500	DN 150	100	400	1450x950	2,5x1,5
SANICUBIC® 1 SC7.5 T	1000	500	DN 150	100	425	1450x950	2,5x1,5

Maximal vätsketemperatur : 55°C

Material

Axeltätning	motorsidan	läpptätning
	pumpsidan	upp till 4 kW dynamisk tätning, från 5,5 kW tätning av härdat gjutjärn
Tank	PE HD	
Kopplingsstöd	Gråjärn	Pumphus Gråjärn
Drivhjul	Gråjärn	Tätningmaterial NBR
Skruvar	Galvaniserat stål	Rotormutter Rostfritt stål

2.4 Tillämpningsområde

Pumpstationer för avloppsvatten i serien SANICUBIC® SC används för att avlägsna (uppsamling och bortforsling) av avloppsvatten från hushåll och industrier (inklusive fekalier), beläget ovanför avloppets återflödesnivå.

Dubbla stationer används överallt där standarden DIN 1986 inte tillåter avbrott i bortforslingen av avloppsvatten.

Pumpstationer i serien SANICUBIC® SC ska inte användas för att pumpa avloppsvatten som innehåller ämnen som kan angripa och skada pumpmaterialet eller uppsamlingstanken.

Användningsbegränsningar :

- Pumpstationen är inte avsedd för kontinuerlig drift! Pumpuppgifterna som finns angivna på märkskylten gäller endast vid intermitterande drift (S3 25 %).
- Det maximala inflödet måste alltid vara lägre än pumpflödet till den beräknade tryckhöjden (se typskylten).

2.5 Leveransens innehåll

Pumpstationer för avloppsvatten i serien SANICUBIC® SC levereras med :

- nivåstyrsystem och styrbox.

3. TRANSPORT/TILLFÄLLIG FÖRVARING

3.1 Transport

Pumpstationer för avloppsvatten i serien SANICUBIC® SC får varken kastas eller falla. De måste transporteras horisontellt.

3.2 Tillfällig förvaring, bevarande

När de lagras ska de förvaras på en plats som är sval, skyddad från ljus, torr och skyddad från frost. Anläggningarna ska hållas horisontella.

4. BESKRIVNING

4.1 Allmän beskrivning

Pumpstationer för avloppsvatten i serien SANICUBIC® SC kan vara enkla eller dubbla och som är färdiga för anslutning, de kan dränkas under kort tid och har en uppsamlingstank av plast som inte släpper ut gaser och lukter. De använder vertikala pumpar, med automatisk pneumatisk nivåreglering. De är utrustade med nivågivare och tillhörande styrhöljen.

4.2 Konstruktion och funktion

Självfall medför att avloppsvattnet strömmar in i pumpstationen SANICUBIC® SC.

Tanken är konstruerad för att **fungera utan tryck**, det vill säga avloppsvattnet som rinner in samlas upp tillfälligt utan tryck, och skickas sedan vidare i ledningen mot kloaksystemet.

Vattnet stiger i stigröret som är påskruvat på den övre delen av tanken och komprimerar luften inuti tills trycket påverkar omkopplaren i elskåpet. Pumpen aktiveras och skjuter ut vattnet ur behållaren via utloppsledningen till kloaksystemet högre upp.

I de dubbla pumpmodellerna arbetar pumparna växelvis. Om det blir alltför hög nivå i tanken aktiveras den andra.

En backventil placerad på utloppsledningen (tillhandahålls i enlighet med standarden DIN 19 760) hindrar vatten från att strömma tillbaka från utloppsröret till tanken.

Anläggningarna är utrustade med en potentialfri larmkontakt till vilken larmanordningar (ringsignal, akustisk signal etc.) kan anslutas.

Motorskyddet säkerställs av ett relä i styrboxen.

5. INSTALLATION

5.1 Förberedande arbete

Om pumpstationen fungerar bra beror huvudsakligen på om följande monteringsregler följs :

- En plats som är välventilerad, torr och skyddad från frost ska användas för monteringen.
- Monteringsplatsen måste vara tillräckligt stor. Höjden bör vara cirka 2-2,5 m. Enligt DIN 1986 del 3 : Tillgängligheten till alla delar av anläggningen... [och] ...alla styrenheter måste garanteras och måste kunna manövreras utan svårigheter... Anläggningen ska inte blockeras av lagrade varor, möbler, eller något liknande...»
- Golvet i lokalen måste kunna bära belastningen från hela anläggningen.
- I underjordiska lokaler eller där det finns risk för läckage bör man placera en dräneringspump i ett manhål.
- En krok i taket över enheten gör det möjligt att lyfta, installera samt underhålla och reparera pumparna.
- Innan monteringen påbörjas ska alla dimensioner på rör och konstruktioner kontrolleras och jämföras med anläggningens dimensioner. Det måste säkerställas att matningsledningen inte ligger lägre än stationens inloppsöppning.

5.2 Montering

Vid installationen måste man se till att de olika rören och fästpunkterna inte blir klämda och att de är helt täta.

5.2.1 Uppställning

Pumpstationer för avloppsvatten i serien SANICUBIC® SC placeras utifrån hur eventuella befintliga rör är placerade. De måste placeras exakt horisontellt.

«...Pumpstationen för fekalier ska vara säkrad av kunden med hjälp av lämpliga fästansordningar, som hindrar vridning och att den börjar att flyta...».

5.2.2 Inloppsledning

Matningsledningen är ansluten till flänsen DN 150.

OBSERVERA

Lutningen på matningsledningarna ska vara minst 3 % för att säkerställa att vattnet rinner mot stationen.



5.2.3 Tryckledning

Det är nödvändigt att montera backventilen på pumpstationens utloppsledning. DIN 19 760 del 3 : ...en anordning mot återflöde ska förhindra återflöde av avloppsvatten i utloppsledningen efter att pumpningen har stoppats. När utpumpningscykeln påbörjas ska anordningen mot återflöde öppnas automatiskt... ».

Det rekommenderas att montera backventilen efter kulventilen, för att underlätta rengöring och eventuellt byte av backventilen.

För att förhindra risken för återflöde av vatten från uppsamlingen, installera utloppsröret i en slinga så att dess bas vid dess högsta punkt är belägen ovanför återflödesnivån. Rörledning och delar ska, vid behov, förstärkas med fästkragar för rör eller fribärande balkar.

5.2.4 Ventilationsledning

Anslut luftkanalen till stationen (DN 100). Antingen till byggnadens ventilation eller separat ut över yttertak.

5.2.5 Elektrisk anslutning

Säkerhetsföreskrifter :

- **All elektrisk utrustning som används måste uppfylla standarden IEC 364/VDE 0100, vilket exempelvis innebär att eluttagen ska vara utrustade med jord.**
- **Den elektriska anslutningen får endast utföras av en elektriker! Gällande bestämmelser för 0100 VDE ska följas!**
- **Det elektriska nätet som anläggningen är ansluten till ska vara utrustad med en mycket känslig jordfelsbrytare som löser ut för <30 mA före styrenheten, eller, för att förhindra fel på styrenheten om jordfelsbrytaren löser ut, ska en jordfelsbrytare per pump installeras mellan styrenheten och pumpen. Vid installation i bad- eller duschrum ska bestämmelserna DIN VDE 0100 del 701 följas.**
- **Följ kraven i standarden EN 12 056-4.**
- **Vid anslutning till växelström ska den säkras externt med en K-klassad automatsäkring med tre mekaniska poler. På detta sätt kopplas nätverket bort och tvåfasfunktionen är utsluten.**
- **All elektrisk utrustning, som styrenhet, larm och eluttag måste installeras i torra utrymmen och skyddas mot översvämning.**
- **Obs! Koppla bort anläggningen från nätet innan pumpen monteras eller demonteras, eller något arbete utförs på den.**
- **Motorn kan överhettas vid överbelastning. Vid överhettning ska du aldrig vidröra den heta motorn.**
- **Om du använder en förlängningsladd måste den matcha den medföljande anslutningskabeln.**

Fäst elskåpet på väggen och anslut de elektriska anslutningskablarna enligt kopplingschemat. Se till att den elektriska installationen uppfyller gällande VDE-regler.

Kopplingschemat för pumpstationen finns tillgängligt i elskåpet och ska finnas där för att underlätta arbetet för underhållspersonalen och kundservice.

6. IDRIFTTAGNING

Före driftsättning, kontrollera igen att anläggningen är korrekt monterad och att alla anslutningar är täta. Öppna låsventilerna.

Sätt i kontakten i uttaget. Kontrollera pumpens rotationsriktning vid trefasinstallation. Utför detta genom att kort slå över omkopplaren manuell/0/automatisk till manuell. När motorn stannar jämför du rotationsriktningen med rätt rotationsriktning (pil indikerar rotationsriktningen) på luckan på den övre delen. Om pumpen roterar i motsatt riktning, byt två av de tre faserna.



FARA



Innan du arbetar på elsystemet, koppla bort nätanslutningen!

Sätt omkopplaren manuell/0/automatisk på automatisk och genomför en testkörning. Fyll uppsamlingstanken via det normala inloppet (handfat, toaletter etc.). Anläggningen ska automatiskt starta, tömma tanken och sedan stängas av. Efter avstängningen ska vattnet inte strömma tillbaka från utloppsledningen till tanken och hela stigröret ska vara ovanför vattnet. Om det inte är så, förläng fördröjningstiden.

Kontrollera att alla rör och anslutningar är täta under testet. Upprepa vid behov.

När anläggningen fungerar korrekt kan du sätta den i automatläge.

7. UNDERHÅLL/SERVICE

7.1 Schema för kontroll och underhåll

Schema för kontroll och underhåll enligt DIN 1986 del 31 : «Pumpstationer för avloppsvatten ska kontrolleras månatligen av operatören genom att observera en pumpcykel och kontrollera tätheten [...] Underhåll av anläggningen ska utföras av en expert. Intervallen får inte överstiga :

1. Ett kvartal för industriföretag
2. Ett halvår för flerfamiljshus
3. Ett år för enskilt boende.»

7.2 Underhålls- och kontrollmoment



FARA



Koppla ur elkontakten vid alla åtgärder!

7.2.1 Uppsamlingstank

Öppna luckan och spola tanken med en slang för att lossa avlagringar på tankens väggar.

7.2.2 Backventil

Öppna locket och rengör backventilen från insidan.

7.2.3 Övrigt

Eventuellt ytterligare underhållsarbete måste utföras av kundservice.

8. DRIFTSTÖRNING : ORSAKER OCH ÅTGÄRDER



FARA



Koppla ur elkontakten vid alla åtgärder!

OBSERVERA



När du avlägsnar motorenheten från tanken ska de fyra insexskruvarna (punkt 16 i reservdelslistan) inte skruvas ur, då kan den dynamiska packningen skadas, olja läcka ut och garantin upphör att gälla! Om motorenheten måste demonteras, skruva loss de fyra skruvarna (punkt 13 i reservdelslistan), om hela pumpen måste demonteras från tanken, skruva loss de fyra muttrarna (punkt 23 i reservdelslistan).

Fel	Orsak	Lösning
1. Motorn startar inte	<ul style="list-style-type: none">- för låg eller saknad spänning- felaktig nätanslutning- felaktig nätkabel- rotorn eller hjulet blockerat- motorkontakter inaktiverade på grund av överhettning; blockering, spänningsfel- styrfel- motorfel	<ul style="list-style-type: none">- kontrollera matningen- åtgärda- ersättning/kundservice- rengör- kontrollera/kundservice - kontrollera/ersättning- ersättning/kundservice
2. Motorn är igång men pumpar inte ut någon vätska	<ul style="list-style-type: none">- hjulet blockerat eller slitet- backventil blockerad- stoppventil blockerad eller stängd- utloppsledning blockerad- insugsrör blockerat- fel rotationsriktning- brist på vatten i tanken- tankens ventilation blockerad- töm huset för den blockerade pumpen	<ul style="list-style-type: none">- rengör/ersättning- rengör- rengör/öppen- rengör- rengör- åtgärda- stäng av/kundservice- rengör- rengör
3. Motorn startar och stannar	<ul style="list-style-type: none">- felaktig eller fluktuerande spänning- termobrytare felaktigt monterad- för hög strömförbrukning	<ul style="list-style-type: none">- åtgärda/kundservice- kontrollera/kundservice- kundservice
4. Motorn stannar inte	<ul style="list-style-type: none">- styrenhetsfel- felaktig tryckkontakt	<ul style="list-style-type: none">- kundservice- ersättning/kundservice

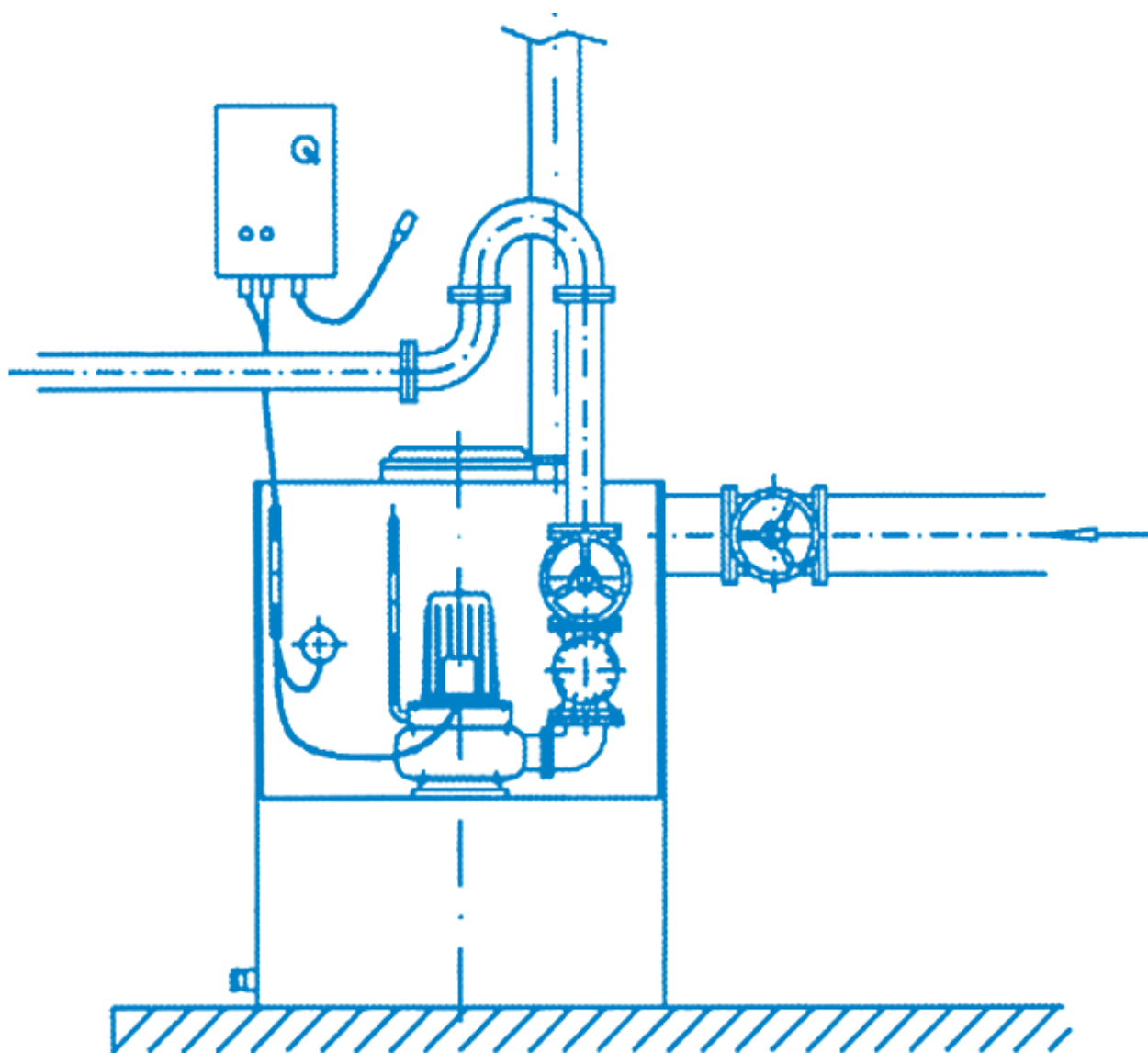
9. GARANTI

Som tillverkare lämnar vi en garanti på 24 månader från dagen då denna enhet köptes. Din faktura är beviset. Under garantiperioden åtgärdar vi samtliga fel kostnadsfritt, enligt eget godtycke genom reparation eller utbyte, som har uppstått på grund av fel på material eller tillverkning. Skador på grund av felaktig användning eller slitage är undantagna från garantin. Vi tar inget ansvar för följdskador på grund av fel på utrustningen.

10. TEKNISKA ÄNDRINGAR

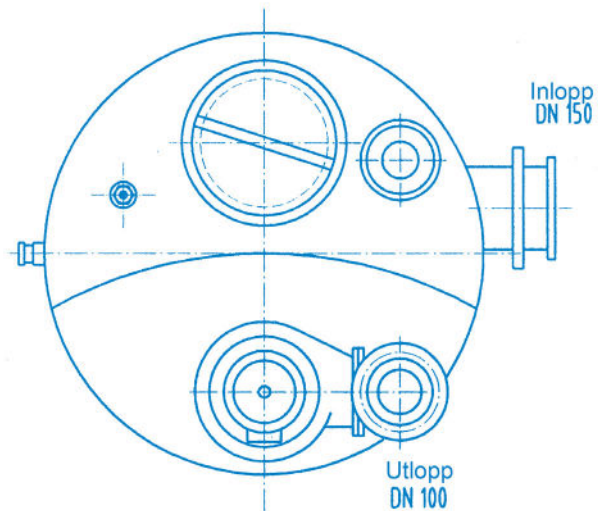
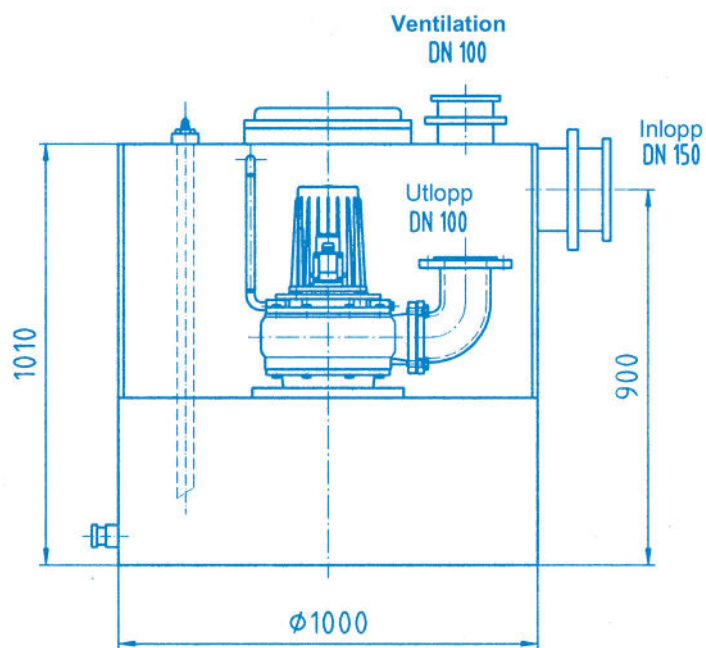
Vi förbehåller oss rätten att göra tekniska ändringar för att förbättra tekniken.

Bilaga A : Monteringsexempel

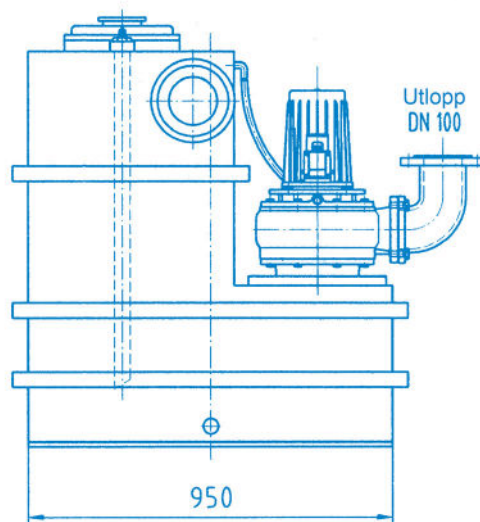
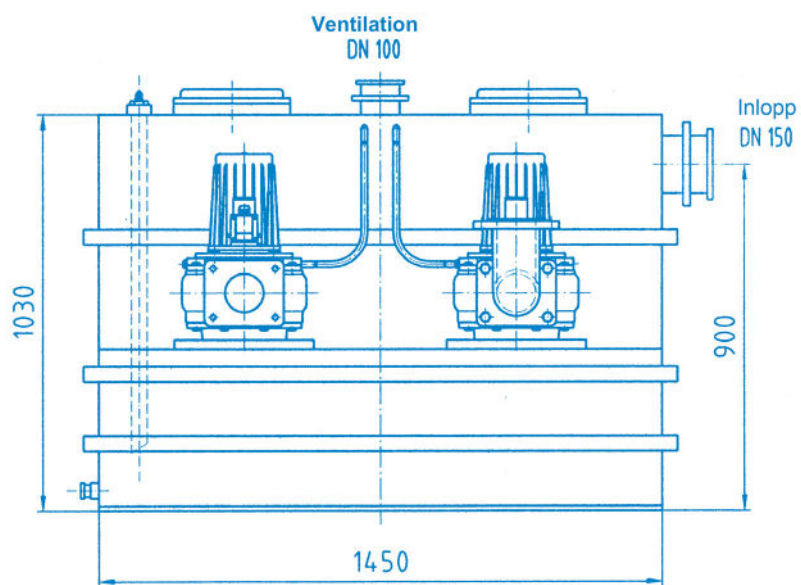


Bilaga B : Mått

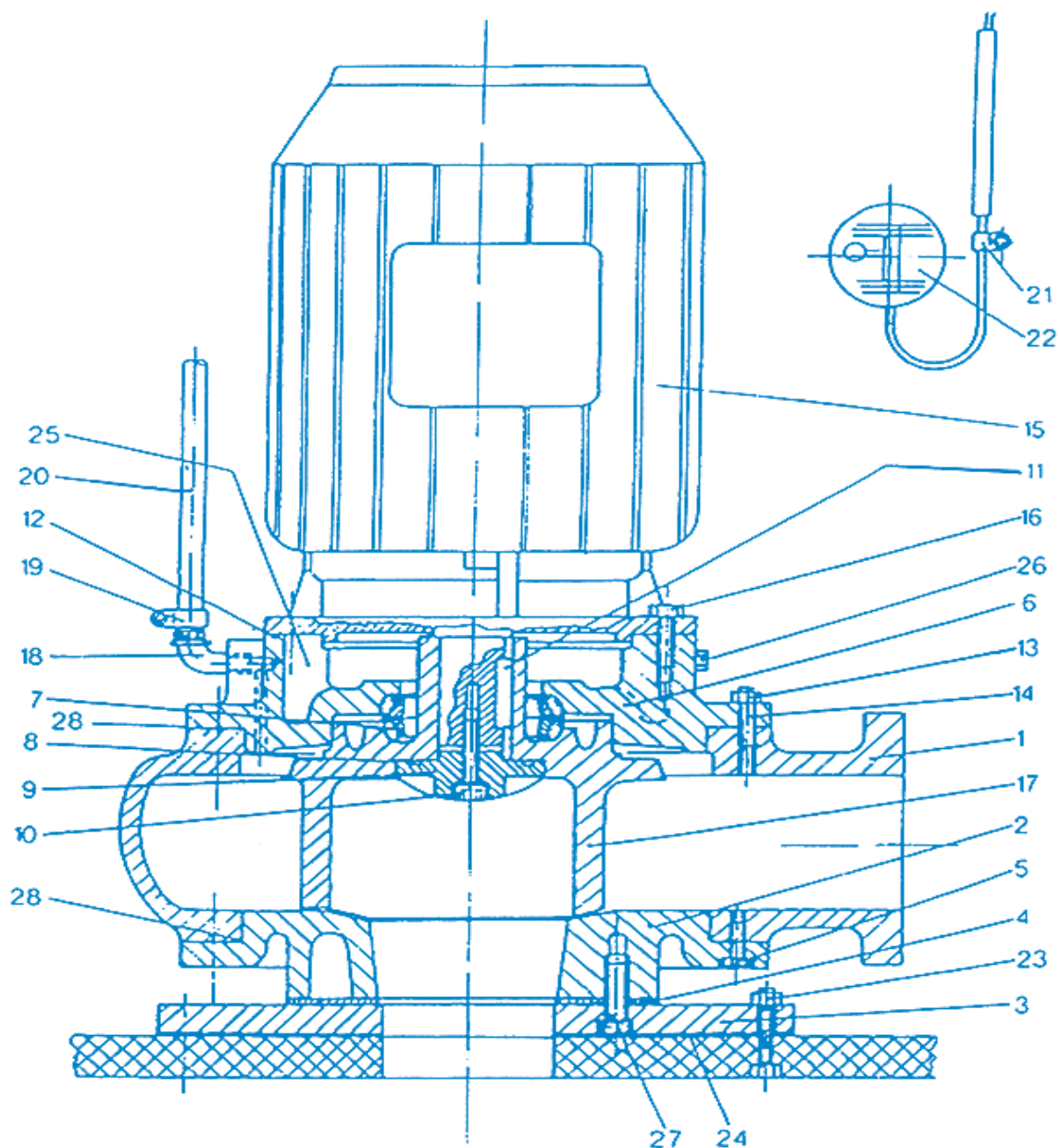
SANICUBIC® 1 SC



SANICUBIC® 2 SC



Bilaga C : Sektionsritning och Lista över reservdelar



Styrbox :

Kvantitet	Namn	Artikelreferens
1	Styrbox ZPS1 (3,0/4,0/5,5 kW)	256300
1	Styrbox ZPS1-SD (7,5 kW)	215402
(1)	Styrbox ZPS2 (3,0/4,0/5,5 kW)	255400
(1)	Styrbox ZPS2-SD (7,5 kW)	215403
1 (1)	Kompressoruppsättning	71035

Lista över reservdelar till pumpen

Pos.	Kvantitet	Namn	Artikelref.
1	1 (2)	Pumphus SANICUBIC® SC 3,0 et 4,0	ZE1384
	1 (2)	Pumphus SANICUBIC® SC 5,5 et 7,5	ZE1138
2	1 (2)	Lock QSHE/101 SANICUBIC® SC 3,0 et 4,0	ZE1129
	1 (2)	Lock QSHE/100Z-3 SANICUBIC® SC 5,5 et 7,5	120141
3	1 (2)	Platta för kopplingsfläns	200 005
4	1 (2)	Plantätning 340 x 105 x 3	ZE1566
5	8 (16)	Sexkantig skruv M10x25	117724
6	1 (2)	Kopplingsstöd GG SANICUBIC® SC 3,0 et 4,0	145015
	1 (2)	Kopplingsstöd GG SANICUBIC® SC 5,5 et 7,5	145023
7	1 (2)	Dynamisk tätning 3,0 et 4,0 kW	279950
	1 (2)	Tätning av härdad gjutjärn 5,5 et 7,5 kW	80115
8	1 (2)	O-ring 50 x 3	80114
9	1 (2)	Pumphjulslock SANICUBIC® SC 3,0 et 4,0	120127
	1 (2)	Pumphjulslock SANICUBIC® SC 5,5 et 7,5	120143
10	1 (2)	Sexkantig skruv M 10 x 30	ZE1237
	1 (2)	Tätningbricka Cu 10 x 20 x 2,0 mm	145013
12	1 (2)	O-ring 190 x 3	60107
13	8 (16)	Sexkantig skruv M 10 x 30 SANICUBIC® SC 3,0 et 4,0	ZE1237
	8 (16)	Sexkantig skruv M 12 x 30 SANICUBIC® SC 5,5 et 7,5	ZE1516
15	1 (2)	Motorenhet 3,0 kW med rotor	111103
	1 (2)	Motorenhet 4,0 kW med rotor	111104
	1 (2)	Motorenhet 5,5 kW med rotor	111107
	1 (2)	Motorenhet 7,5 kW med rotor	111108
16	4 (8)	Sexkantig skruv M 12 x 25	ZE1130
	4 (8)	Fjäderbricka B 12	ZE1302
17	1 (2)	Rotor D=200 mm, 3,0 kW	120134c
	1 (2)	Rotor D=220 mm, 4,0 kW	120134e
	1 (2)	Rotor D=230 mm, 5,5 kW	120142a
	1 (2)	Rotor D=250 mm, 7,5 kW	120142b
18	1 (2)	Vinklad koppling R 3/8"	117031
19	2 (4)	Slangklämma	ZE1582
20	1 (2)	Tömnings slang	117030
23	8 (16)	Sexkantsmutter M 12	ZE1382
	8 (16)	Spärring B 12	ZE1302
24	1 (2)	Plantätning DN 100	ZE1121
25	1 (2)	Oljebad 0,8 l, SANICUBIC® SC 3,0 et 4,0	14009
	1 (2)	Oljebad 1,0 l, SANICUBIC® SC 5,5 et 7,5	14009
26	1 (2)	Lock för oljepåfyllning G 3/8"	140025
	1 (2)	Tätningring 17 x 22 x 1,5 mm, Cu	140030
27	4 (8)	Insexskruv M 16 x 30	ZE1647
28	1 (2)	O-ring 236 x 3 SANICUBIC® SC 3,0 et 4,0	120131
	1 (2)	O-ring 270 x 3 SANICUBIC® SC 5,5 et 7,5	120139

1. SIKKERHET	s.31
1.1 Advarsler.....	s.31
1.2 Kvalifisering og opplæring av personell	s.31
1.3 Følger og farer ved å avvike fra serviceveiledningen	s.32
1.4 Arbeid i full sikkerhet.....	s.32
1.5 Sikkerhetsinstruksjoner for operatør/bruker.....	s.32
1.6 Sikkerhetsinstruksjoner for vedlikehold, inspeksjon og montering	s.32
1.7 Vilkårige modifikasjoner og framstilling av reservedeler.....	s.32
1.8 Ikke godkjent bruk.....	s.32
2. ALLMENN	s.33
2.1 Introduksjon.....	s.33
2.2 Spørsmål og reservasjoner	s.33
2.3 Driftsprinsipp	s.33
2.4 Bruksområde	s.34
2.5 Hva leveransen omfatter	s.34
3. TRANSPORT/MIDLERTIDIG OPPBEVARING	s.34
3.1 Transport.....	s.34
3.2 Midlertidig oppbevaring	s.34
4. BESKRIVELSE	s.35
4.1 Generell beskrivelse	s.35
4.2 Konsept og funksjonsmåte	s.35
5. INSTALLERING	s.35
5.1 Forberedelser	s.35
5.2 Montering	s.35
6. DRIFTSSTART	s.36
7. VEDLIKEHOLD	s.36
7.1 Inspeksjons- og vedlikeholdskalender.....	s.36
7.2 Vedlikeholdsarbeid.....	s.36
8. FEIL : ÅRSAKER OG TILTAK	s.37
9. GARANTI	s.38
10. TEKNISKE MODIFIKASJONER	s.38
Vedlegg A : Monteringseksempel	s.39
Vedlegg B : Måltegninger.....	s.40
Vedlegg C : Snittegning av pumpa og reservedelsliste	s.41

1. SIKKERHET

SIKKERHET

Dette apparatet kan ikke brukes av barn under 8 år eller av personer som har reduserte fysiske, sansemessige eller mentale evner eller mangler erfaring eller kunnskap hvis de ikke får korrekt tilsyn eller har fått instruksjoner om fullt ut sikker bruk av produktet og forstått farene som er forbundet med det. Barn skal ikke leke med apparatet. Vask og vedlikehold skal ikke utføres av barn uten tilsyn.

ELEKTRISK TILKOBLING :

Strømmen må kobles til av en erfaren godkjent elektriker. Strømkretsen til apparatet må være jordet (klasse I) og beskyttet med en følsom jordfeilbryter (30 mA). Enheter uten stikkontakter må kobles til en hovedbryter på strømforsyningen som kobler fra alle polene (kontaktseparasjonsavstand på minst 3 mm).

Tilkoblingen skal kun brukes for å tilføre strøm til pumpen.

Hvis strømkabelen er skadd, må den byttes av produsenten, produsentens kundeservice eller personer med liknende kvalifikasjoner for å unngå personskader. Følge lokale forskrifter under installering og bruk av pumpa.

Denne brukerveiledningen inneholder viktige instruksjoner som må følges under montering, bruk og vedlikehold. Montører og ansvarlige spesialister/brukere må lese den før montering og oppstart og den må være tilgjengelig til enhver tid der hvor maskinen/installasjonen brukes.

I tillegg til sikkerhetsinstruksjonene i kapittel 1. Sikkerhet må også de spesielle sikkerhetsinstruksjonene i de andre kapitlene følges, for eksempel for privat bruk.

1.1 Advarsler



FARE

Fare

Dette ordet betegner en betydelig fare som kan føre til død eller alvorlig personskade.



Faresone

Dette symbolet og et nøkkelord betegner farer som kan føre til død eller personskader.



Farlig elektrisk spenning

Dette symbolet advarer om farene ved elektrisk strøm og opplyser om hvordan man kan beskytte seg mot disse farene.

OBS



Materielle skader

Dette symbolet og nøkkelordet **OBS** betegner fare for maskinskader.

Informasjon som er påført maskinen direkte, f.eks. pila som viser riktig rotasjonsretning, eller merket for væsketilkobling, må alltid holdes i leselig tilstand og følges.

1.2 Kvalifisering og opplæring av personell

Alle som skal bruke, vedlikeholde, inspisere og montere maskinen, må ha de nødvendige kvalifikasjonene for arbeidet. Operatøren må definere ansvarsområdet og kompetansen

til personalet og tilsynet med dem nøyaktig. Hvis personalet ikke har de nødvendige kunnskapene, må de læres opp. Om nødvendig kan dette gjøres av produsenten/leverandøren på forespørsel fra operatøren. Videre må operatøren forsikre seg om at personalet har lest og forstått innholdet av brukerveiledningen i sin helhet.

1.3 Faremomenter ved å ignorere sikkerhetsinstruksjonene

Hvis sikkerhetsinstruksjonene ikke følges, kan det utsette både brukerne av maskinen og personer som oppholder seg i nærheten for fare. Hvis sikkerhetsinstruksjonene ikke følges, vil det også fritta produsenten for alt erstatningsansvar. Nærmere bestemt kan det for eksempel føre til følgende faremomenter :

- alvorlige feil ved maskinen/installasjonen;
- svikt ved de anbefalte metodene for service og vedlikehold;
- fare for personskader på grunn av elektriske, mekaniske og kjemiske påvirkninger;
- fare for miljøet på grunn av utlipp av miljøfarlige stoffer.

1.4 Arbeid i full sikkerhet

I tillegg til sikkerhetsinstruksjonene i denne brukerveiledningen, må brukerne følge gjeldende nasjonale forskrifter for arbeid, sikkerhet på arbeidsplassen og bedriftens interne driftsbestemmelser.

1.5 Sikkerhetsinstruksjoner for operatør/bruker

- Hvis maskindeler blir farlig varme eller kalde, må operatøren sikre dem for å hindre at personer kommer i kontakt med dem.
- Vern mot utilsiktet kontakt med bevegelige deler må aldri fjernes mens maskinen er i bruk.
- Lekkasje (f.eks. fra akseltetningen) av farlige stoffer (f.eks. eksplosiver, gifter, varme stoffer) må fjernes på en måte som ikke setter personer eller miljøet i fare. Lovens retningslinjer må følges.
- Alle faremomenter fra elektrisk energi må elimineres (se gjeldende regler og hør med lokale strømleverandører for flere opplysninger om dette).

1.6 Sikkerhetsinstruksjoner for vedlikehold, inspeksjon og montering

Operatøren må forsikre seg om at alt vedlikehold, all inspeksjon og montering gjøres av kvalifiserte og godkjente personer som har blitt tilstrekkelig informert ved å lese brukerveiledningen.

Inngrep på maskinen skal hovedsakelig gjøres når den er i stillstand. Den framgangsmåten for å stoppe maskinen som beskrives i brukerveiledningen, må følges uten unntak.

Pumper eller pumpegrupper som pumper helseskadelige stoffer må dekontamineres. Når inngrepene er utført, må alle verneanordninger og sikkerhetsanordninger umiddelbart settes i funksjonsdyktig stand eller settes på plass igjen.

Før maskinen startes opp (igjen) må punktene i kapitlet 6. *Oppstart* følges.

1.7 Vilkårige modifikasjoner og framstilling av reservedeler

All ombygging eller modifisering av maskinen er forbudt uten godkjenning fra fabrikanten. Sikkerheten er garantert bare med originale reservedeler og tilbehør godkjent av fabrikanten. Bruk av andre deler kan føre til at garantien mot følgeskader faller bort.

1.8 Ikke godkjent bruk

Sikkerheten ved driften av de leverte maskinene er bare garantert ved bruk i samsvar med

kapittel 2. *Allmenn* bruksanvisning. De angitte grenseverdiene i det tekniske databladet må alltid overholdes.

2. ALLMENN

2.1 Introduksjon

Denne brukerveiledningen gjelder for pumpestasjoner for avløpsvann i serien SANICUBIC® SC.

Hvis denne brukerveiledningen ikke blir fulgt, særskilt sikkerhetsinstruksjonene, eller apparatet modifiseres vilkårlig eller det brukes ikke-originale reservedeler, fører det automatisk til bortfall av alt garantiansvar. Fabrikanten fraskriver seg alt ansvar for skader som skyldes slike avvik!

Som alle elektriske apparater kan dette produktet også svikte på grunn av feil ved strømforsyningen eller tekniske feil. Hvis dette fører til skade, må det være tilgjengelig en hjelpeenhet, en manuell membranpumpe, en andre installasjon (dobbeltinstallasjon) og/eller en uavhengig alarmerhet som er tilpasset formålet og uavhengig av strømmettet. Som fabrikant stiller vi oss til rådighet for all rådgiving, inkludert kundestøtte. Henvendelser om feil eller skader kan rettes til forhandleren.

Produkter i serien :

SANICUBIC® 1 SC3.0 T	SANICUBIC® 2 SC3.0 T
SANICUBIC® 1 SC4.0 T	SANICUBIC® 2 SC4.0 T
SANICUBIC® 1 SC5.5 T	SANICUBIC® 2 SC5.5 T
SANICUBIC® 1 SC7.5 T	SANICUBIC® 2 SC7.5 T

2.2 Spørsmål og reservasjoner

Alle spørsmål og klager må rettes til spesialforhandleren din.

2.3 Driftsprinsipp

Enkeltinstallasjon :

Type	Effektforbruk P1 [kW]	Nominell effekt P2 [kW]	Spenning U [V]	Nominell strøm I _{MAX} [A]	Rotasjons- hastighet (50 Hz) [min ⁻¹]	Ytelse [m ³ /h]	Vertikalt avløp [m]	Utladnings- tilkobling
SANICUBIC® 1 SC3.0 T	4,0	3,0	400	6,9	1400	130	10	DN 100
SANICUBIC® 1 SC4.0 T	5,5	4,0	400	11,2	1400	140	13	DN 100
SANICUBIC® 1 SC5.5 T	6,3	5,5	400	12,1	1400	160	18	DN 100
SANICUBIC® 1 SC7.5 T	8,7	7,5	400	16,9	1400	165	22	DN 100

Type	Brutto- volume [l]	Netto- kapasitet [l]	Inlopp	Fri passasje [mm]	Vekt [kg]	Mål [mm]	Plassbehov, minimum [m]
SANICUBIC® 1 SC3.0 T	480	270	DN 150	80	210	Ø 1000	2x1,5
SANICUBIC® 1 SC4.0 T	480	270	DN 150	80	220	Ø 1000	2x1,5
SANICUBIC® 1 SC5.5 T	480	270	DN 150	100	225	Ø 1000	2x1,5
SANICUBIC® 1 SC7.5 T	480	270	DN 150	100	240	Ø 1000	2x1,5

Maksimal væsketemperatur : 55°C

Dobbeltinstallasjon :

Type	Effektforbruk P1 [kW]	Nominell effekt P2 [kW]	Spenning U [V]	Nominell strøm I _{MAX} [A]	Rotasjons-hastighet (50 Hz) [min ⁻¹]	Ytelse [m ³ /h]	Vertikalt avløp [m]	Utladnings-tilkobling
SANICUBIC® 2 SC3.0 T	4,0	3,0	400	6,9	1400	120	10	DN 100
SANICUBIC® 2 SC4.0 T	5,5	4,0	400	11,2	1400	140	13	DN 100
SANICUBIC® 2 SC5.5 T	6,3	5,5	400	12,1	1400	160	18	DN 100
SANICUBIC® 2 SC7.5 T	8,7	7,5	400	16,9	1400	165	22	DN 100

Type	Brutto-volum [l]	Netto-kapasitet [l]	Inløp	Fri passasje [mm]	Vekt [kg]	Mål [mm]	Plassbehov, minimum [m]
SANICUBIC® 2 SC3.0 T	1000	500	DN 150	80	370	1450x950	2,5x1,5
SANICUBIC® 2 SC4.0 T	1000	500	DN 150	80	385	1450x950	2,5x1,5
SANICUBIC® 2 SC5.5 T	1000	500	DN 150	100	400	1450x950	2,5x1,5
SANICUBIC® 1 SC7.5 T	1000	500	DN 150	100	425	1450x950	2,5x1,5

Maksimal væsketemperatur : 55°C

Materiell

Akseltetning	Motorside	Leppetetning
	Pumpeside	opptil 4 kW dynamisk pakning, fra 5,5 kW pakning av herdet støpejern
Tank	PE HD	
Pakningsholder	grått støpejern	Pumpehus grått støpejern
Drivhjul	grått støpejern	Tetningsmaterialer NBR
Skrue	galvanisert stål	Rotormutter Rustfritt stål

2.4 Bruksområde

Pumpestasjoner for avløpsvann av serien SANICUBIC® GR brukes til å fjerne (samle og pumpe ut) avløpsvann fra boliger og industri (inkludert svartvann) over refluksnivået til kloakken.

Bruksbegrensninger :

- **Pumpestasjonen er ikke beregnet for kontinuerlig bruk! Utslippsopplysningene som er angitt på typeskiltet gjelder bare for periodisk bruk (S3 25 %).**
- **Det høyeste inntaket må alltid være lavere enn pumpestrømmen ved den beregnede manometriske høyden (se typeskiltet).**

2.5 Hva leveransen omfatter

Pumpestasjoner for avløpsvann av serien SANICUBIC® SC leveres med :
– nivåstyringssystem og styringsenhet.

3. TRANSPORT/MIDLERTIDIG OPPBEVARING

3.1 Transport

Pumpestasjoner for avløpsvann av serien SANICUBIC® SC tåler i ikke å kastes eller slippes i bakken. De må alltid transporteres vannrett.

3.2 Midlertidig oppbevaring

Oppbevares kjølig, mørkt og tørt og beskyttet mot frost. Installasjonene må oppbevares vannrett.

4. BESKRIVELSE

4.1 Generell beskrivelse

Pumpestasjoner for avløpsvann av serien SANICUBIC® SC er enkle eller doble pumpestasjoner klare for tilkobling, helt under vann, med samletank av gass- og lukttett plast.

De fungerer som loddrette pumper med automatisk pneumatisk nivåstyring. De er utstyrt med nivådetektorer og tilhørende styringskap.

4.2 Structure et mode de fonctionnement

Avløpsvannet renner med tyngdekrafta inn i pumpestasjonen SANICUBIC® GR.

Tanken er utformet for **trykløs funksjon**, det vil si at avløpsvannet samles midlertidig trykløst og så slippes ut i røret mot kloakken.

Vannet stiger i dykkørret som er skrudd på den øvre delen av reservoaret og trykker den innvendige lufta sammen til trykket påvirker kontakten i elektroskapet. Dermed aktiveres pumpen og pumper vannet fra tanken til den høyereliggende kloakken.

I modellene med doble pumper arbeider pumpene vekselvis. Hvis nivået er for høyt i tanken, aktiveres den andre.

En tilbakeslagsventil i utløpskanalen (som leveres i samsvar med normen DIN 19 760) hindrer at vannet strømmer tilbake fra utløpsrøret til tanken.

Installasjonene har en strømløs alarmkontakt som alarmanordninger (lydalarm, akustiske signaler osv.) kan kobles til.

Motoren er sikkert beskyttet med et relé på styringskapet.

5. INSTALLERING

5.1 Forberedelser

De følgende monteringsreglene er viktige for at pumpestasjonen skal fungere godt :

- Monter stasjonen i et godt luftet, tørt og frostfritt rom.
- Det må være tilstrekkelig plass rundt pumpen. Takhøyden må være rundt 2 til 2,5 m. Ifølge DIN 1986 del 3 : «... tilgangen til alle installasjonsdelene...(og)...alle styringselementene må være garantert og de må kunne aktiveres uten vansker...De installerte delene skal ikke blokkeres av fabrikkert gods, møbler eller liknende...»
- Gulvet i rommet må kunne bære vekta til hele installasjonen.
- På underjordiske installasjoner eller der det er risiko for infiltrering av vann, anbefales det å plassere ei dreneringspumpe i et mannhull.
- En krok i taket over apparatet gjør det mulig å løfte, montere, vedlikeholde og reparere pumpa.
- Før monteringen begynner må alle målene til kanalene og konstruksjonene sjekkes og sammenliknes med målene på installeringsstedet. Derfor er det spesielt viktig å passe på at tilførselsrørene ikke ligger dypere enn inntaksåpningene til stasjonen.

5.2 Montering

Under installeringen må man passe på at de forskjellige rørene og festepunktene ikke utsettes for stress og er helt lekkasjefrie.

5.2.1 Plassering

Pumpestasjoner for avløpsvann i serien SANICUBIC® GR må orienteres i samsvar med rør som kan være til stede fra før på installeringsstedet. De må stå 100 % vannrett.

DIN 19 760 del 1 : «... Pumpestasjonen for svartvann må sikres av kunden ved hjelp av festeanordninger for å hindre alle muligheter for at den vrir seg eller flyter opp. ».

5.2.2 Innløpsrør

Tilførselsrøret er koblet til DN150-flensen.



5.2.3 Utløpsrør

Det er viktig å montere en tilbakeslagsventilen på uttaksrøret til pumpestasjonen. DIN 19 760 del 3 : « ...en tilbakeslagsanordning må hindre at avløpsvannet strømmer tilbake i uttaksrøret når pumpa stopper. Når uttakssyklusen starter, må tilbakeslagsanordningen åpne seg automatisk. ...».

Det anbefales å sette en tilbakeslagsventil etter kuleventilen. Dette gjør det lettere å holde den rein og eventuelt bytte den hvis nødvendig.

For å forebygge risiko for refluks fra septiktanken installeres utløpsrøret i sløyfe slik at den øverste delen befinner seg over refluksnivået. Hvis nødvendig forsterkes røret og armaturen med rørklemmer eller utkragingsbjelker.

5.2.4 Luftekanal

Den ventilasjonskanalen (flens DN 100) til stasjonen kobles enten til bygningsventilasjonen eller føres ut separat over taket.

5.2.5 Elektrisk tilkobling

Sikkerhetsanordninger :

- **Alle elektriske anordninger som brukes må tilfredsstille normen IEC 364/VDE. 0100 Det betyr for eksempel at strømuttak må være jordet.**
- **Alle elektriske koblingsarbeider må utføres av en elektriker! De gjeldende 0100 VDE-bestemmelsene må følges!**
- **Strømnettet som installasjonen er koblet til må ha en separat høysensitiv jordfeilbryter IA <30 mA oppstrøms for styringen, ellers må det installeres en jordfeilbryter for hver pumpe mellom styringen og pumpa for å beskytte styringen i tilfelle differensialbryteren slår inn. Hvis stasjonen skal installeres i et baderom eller dusjrom, må de tilsvarende bestemmelsene i DIN VDE 0100 del 701 følges.**
- **Følg bestemmelsene i normen EN 12 056-4.**
- **Hvis stasjonen skal kobles til vekselstrøm, må kretsen sikres eksternt med skillebrytere av generell K-karakteristikk med tre mekaniske poler. Dette sikrer full frakobling fra nettet slik at tofasedrift utelukkes.**
- **Alt elektrisk utstyr, for eksempel styring, alarmer og strømuttak må installeres i tørre rom og sikres mot oversvømmelse.**
- **OBS! Installasjonen må alltid kobles fra strømnettet når pumpa skal monteres eller demonteres og ved alle andre inngrep.**
- **Motoren kan bli overopphetet hvis den overbelastes. Ved overoppheting kan det være farlig å berøre de varme flatene.**
- **Hvis du bruker en skjøteledning, må den ha samme kvalitet som strømkabelen stasjonen leveres med.**

Fest elektroskapet til veggen og koble de elektriske tilkoblingskablene i samsvar med diagrammet. Sjekk samtidig at den elektriske installasjonen samsvarer med gjeldende VDE-direktiver.

Kretsdiagrammet for pumpestasjonen finnes i elektroskapet og må oppbevares der for å forenkle vedlikehold og kundestøtte.

6. OPPSTART

Sjekk igjen før oppstart om monteringen er korrekt og alle koblinger er tette. Åpne stengeventilene.

Så settes støpselet i stikkontakten (enkel installasjon). Må også rotasjonsretningen til pumpa sjekkes. Dette kan gjøres ved å slå bryteren manuell/0/automatisk kortvarig over på «manuell». Når motoren stopper, kan rotasjonsretningen sammenliknes med den korrekte retningen som vises med pil på øvre del av dekselet på styringen. Hvis pumpen dreier i feil retning, må to av de tre fasene byttes om.



FARE



Koble stasjonen fra strøm før du gjør noe arbeid på den elektriske installasjonen!

Still bryteren manuell/0/automatisk på «automatisk» og utfør en funksjonstest. Fyll samletanken fra normale kilder (oppvaskkum, toalett e.l.) Installasjonen skal starte automatisk, tømme tanken og så stoppe. Vannet skal ikke strømme tilbake i utløpsrøret mot tanken mens den er i gang, og dykkørøret må være helt ute av vannet. Forleng responstida hvis dette ikke skjer.

Sjekk tettheten til alle rør og koblinger under funksjonstesten og tett dem hvis nødvendig.

Hvis installasjonen fungerer korrekt, skal den stå på automatisk funksjon.

7. VEDLIKEHOLD

7.1 Inspeksjons- og vedlikeholdskalender

Inspeksjons- og vedlikeholdskalender ifølge normen DIN 1986 del 31 : «Pumpestasjoner for avløpsvann må sjekkes månedlig ved å gjennomføre og observere en pumpesyklus og tettheten. [...] Installasjonen må vedlikeholdes av en fagperson. Tidsintervallene mellom periodene skal ikke være over :

1. Et kvartal for industriforetak,
2. Et halvår for kollektive husholdninger,
3. Et år for individuelle husholdninger.»

7.2 Vedlikeholdsarbeid



FARE



Koble stasjonen fra strøm før du gjør noe arbeid på den elektriske installasjonen!

7.2.1 Samletank

Åpne dekselet til styringen og skyll tanken med en vannslange for å løsne avleiringer fra veggene.

7.2.2 Tilbakeslagsventil

Åpne dekselet til styringen og rens tilbakeslagsventilen innvendig.

7.2.3 Diverse

Alt øvrig vedlikeholdsarbeid skal utføres av kundestøtten vår.

8. FEIL, ÅRSAKER OG TILTAK



FARE



Koble stasjonen fra strøm før du gjør noe arbeid på den elektriske installasjonen!

OBS

Når motorenheten demonteres fra tanken, skal ikke de fire sekskanthodeskruene (del 16 i delelista) skrus ut, ellers vil det skade den dynamiske tetningen. Olja vil lekke ut og garantien annulleres! Hvis den enkle motorenheten skal demonteres, må de fire skruene (del 13 på reservedelslista) skrus ut. Hvis pumpe skal demonteres helt fra tanken, må de fire mutterne (del 23 på reservedelslista) skrus ut.

Dysfonctionnement	Cause	Résolution
1. Motoren går ikke.	<ul style="list-style-type: none"> – for lav eller ingen spenning – feil tilkobling til strømforsyningen – defekt strømkabel – rotor eller hjul blokkert – motorkontaktoren deaktivert på grunn av overoppheting, blokkering, strømsvikt – feil ved styringen – motorfeil 	<ul style="list-style-type: none"> – Sjekk strømforsyningen – Rett opp – Bytt/kundestøtte – Rens – Sjekk/kundestøtte – Sjekk/kundestøtte – Bytt/kundestøtte
2. Motoren går, men ingen væske i utløpet.	<ul style="list-style-type: none"> – hjulet blokkert eller slitt – tilbakeslagsventilen blokkert – sperreventilen blokkert eller stengt – utløpsrøret blokkert – sugerøret blokkert – feil rotasjonsretning – ikke vann i tanken – luftehullet i tanken blokkert – luftehullet i pumpehuset blokkert 	<ul style="list-style-type: none"> – Rens/Bytt – Rens – Rens/åpen – Rens – Rens – Rett opp – Deaktiver/kundestøtte – Rens – Rens
3. Motoren går og stopper.	<ul style="list-style-type: none"> – feil eller variabel spenning – varmebryteren plassert feil – for høyt strømforbruk 	<ul style="list-style-type: none"> – Rett opp/kundestøtte – Sjekk/kundestøtte – kundestøtte
4. Motoren stopper ikke.	<ul style="list-style-type: none"> – styringsfeil – funksjonsfeil ved trykkbryteren 	<ul style="list-style-type: none"> – kundestøtte – Bytt/kundestøtte

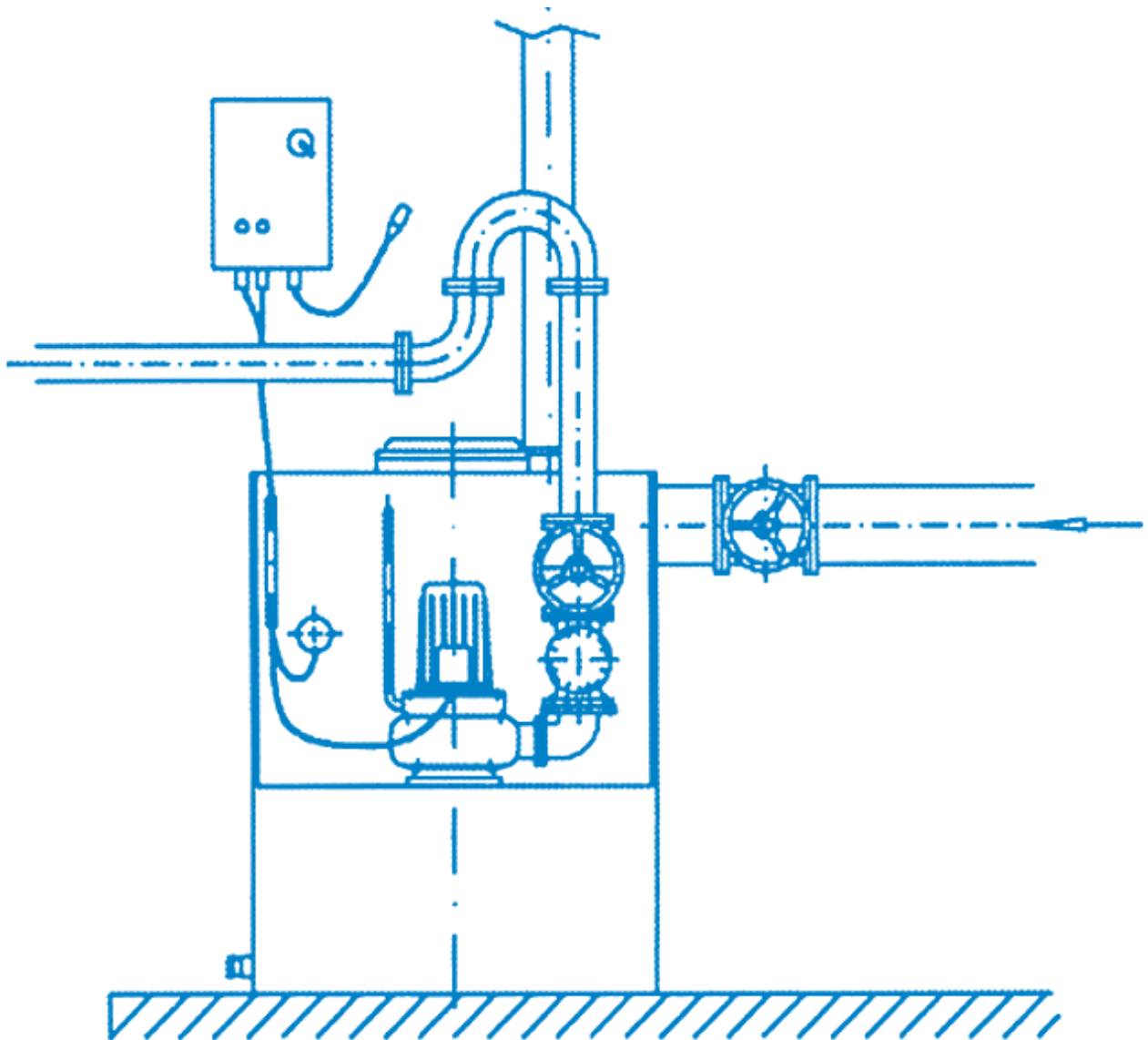
9. GARANTI

Som fabrikant påtar vi oss en 24 måneders garanti fra kjøpsdatoen for dette apparatet. Fakturaen din fungerer som garantibevis. I løpet av denne garantitiden eliminerer vi gratis alle feil som skyldes materiale eller fabrikasjon ved å reparere stasjonen eller bytte den hvis du ønsker det. Skader som skyldes feil bruk og slitasje dekkes ikke av garantien. Vi fraskriver oss alt ansvar for følgeskader som skyldes en utstysfeil.

10. TEKNISKE MODIFIKASJONER

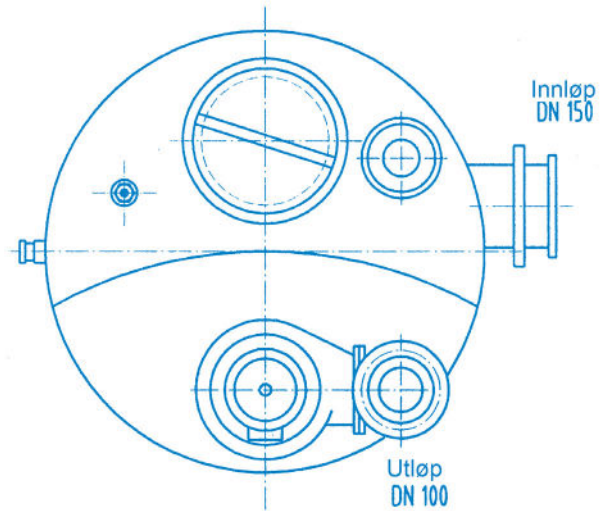
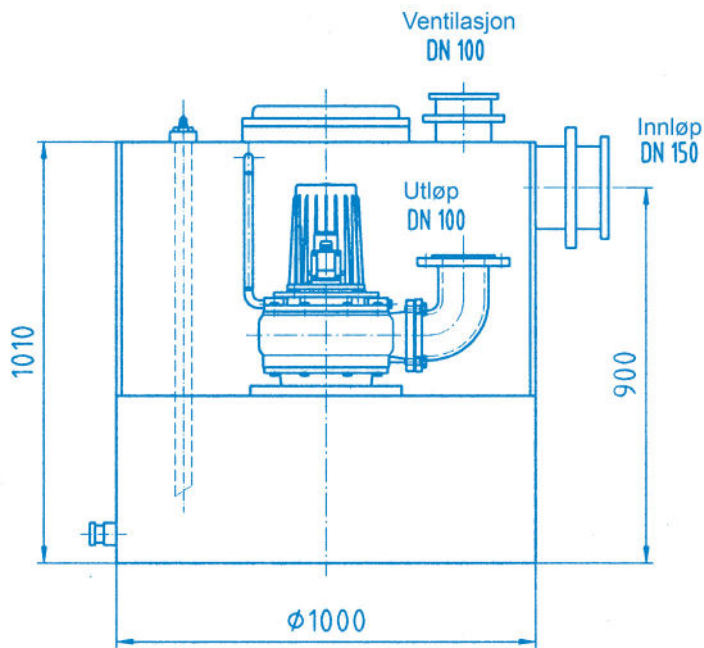
Vi forbeholder oss retten til å modifisere teknikken i forbindelse med tekniske forbedringer.

Vedlegg A : Monteringseksempel

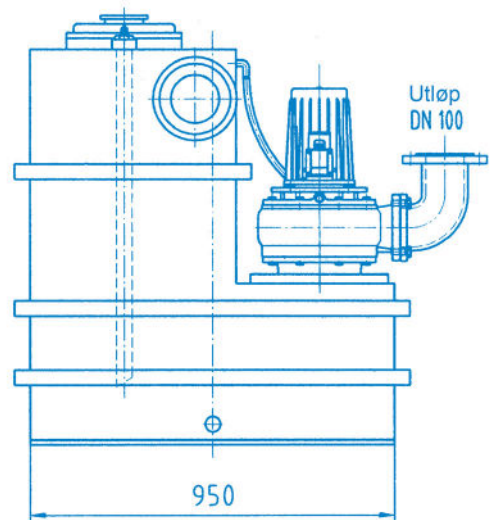
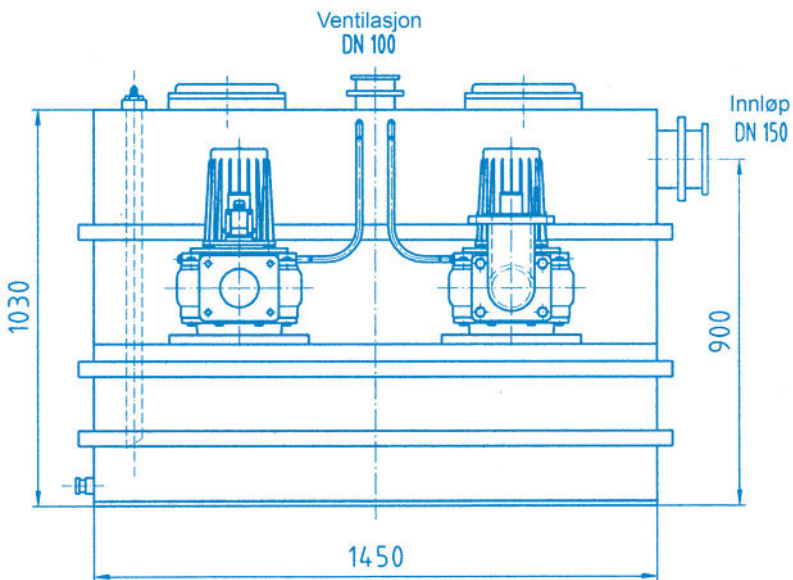


Vedlegg B : Måltegninger

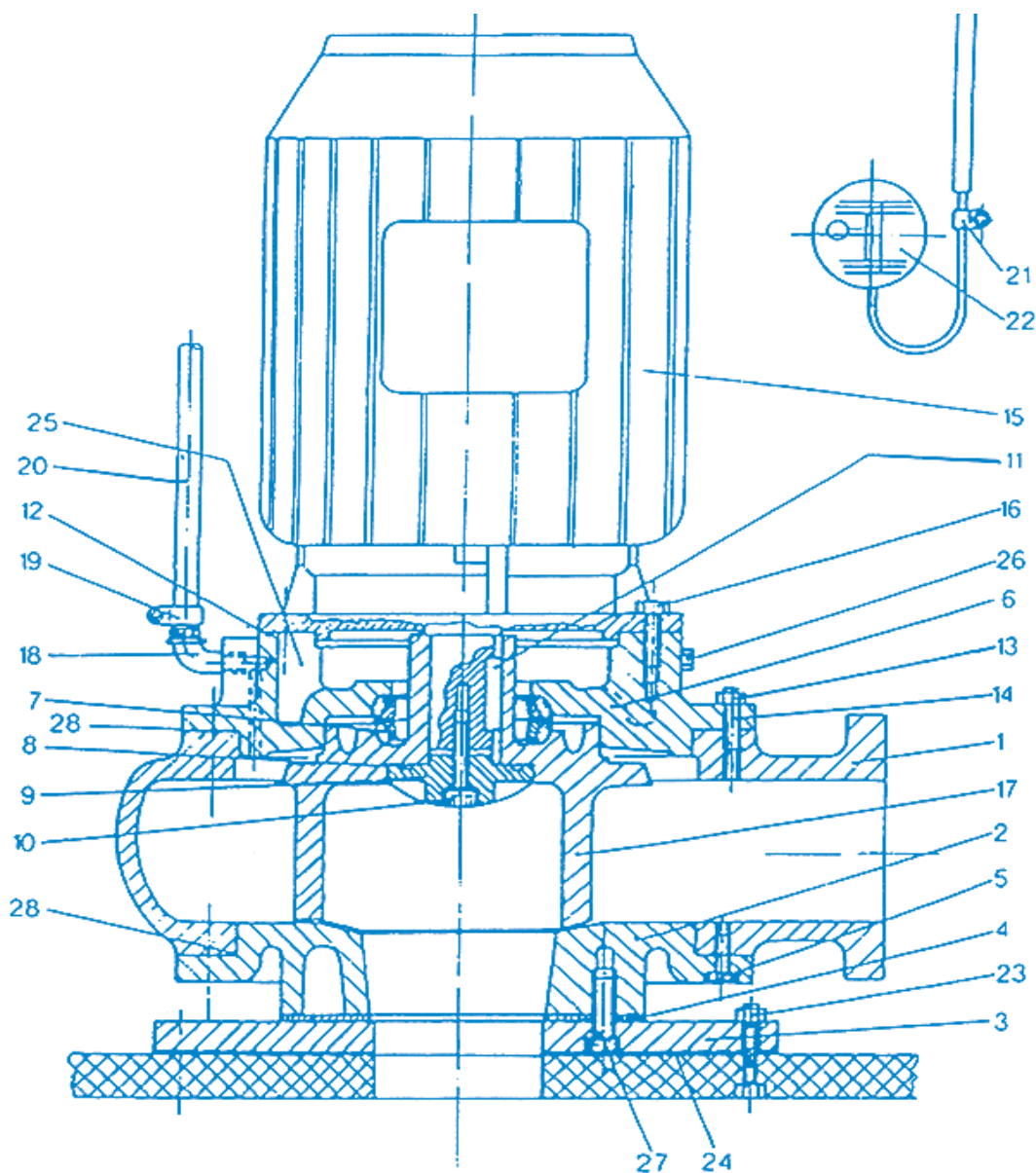
SANICUBIC® 1 SC



SANICUBIC® 2 SC



Vedlegg C : Snittegning av pumpa og reservedelsliste



Styringskap :

Antall	Betegnelse	Artikkelref.
1	Styringskap ZPS1 (3,0/4,0/5,5 kW)	256300
1	Styringskap ZPS1-SD (7,5 kW)	215402
(1)	Styringskap ZPS2 (3,0/4,0/5,5 kW)	255400
(1)	Styringskap ZPS2-SD (7,5 kW)	215403
1 (1)	Kompressorsett	71035

Reservedelsliste for pumpe

Num.	Antall	Betegnelse	Artikkelref.
1	1 (2)	Pumpehus SANICUBIC® SC 3,0 et 4,0	ZE1384
	1 (2)	Pumpehus SANICUBIC® SC 5,5 et 7,5	ZE1138
2	1 (2)	Deksel QSHE/101 SANICUBIC® SC 3,0 et 4,0	ZE1129
	1 (2)	Deksel QSHE/100Z-3 SANICUBIC® SC 5,5 et 7,5	120141
3	1 (2)	Festeplate med flens	200 005
4	1 (2)	Flat tetning 340 x 105 x 3	ZE1566
5	8 (16)	Sekskanthodeskrue M10x25	117724
6	1 (2)	Pakningsstøtte GG SANICUBIC® SC 3,0 et 4,0	145015
	1 (2)	Pakningsstøtte GG SANICUBIC® SC 5,5 et 7,5	145023
7	1 (2)	Dynamisk tetning 3,0 et 4,0 kW	279950
	1 (2)	Tetning av herdet støpejern 5,5 et 7,5 kW	80115
8	1 (2)	O-ring 50 x 3	80114
9	1 (2)	Impeller cap SANICUBIC® SC 3,0 et 4,0	120127
	1 (2)	Impeller cap SANICUBIC® SC 5,5 et 7,5	120143
10	1 (2)	Sekskanthodeskrue M 10 x 30	ZE1237
	1 (2)	Tetting vaskemaskin Cu 10 x 20 x 2,0 mm	145013
12	1 (2)	O-ring 190 x 3	60107
13	8 (16)	Sekskanthodeskrue M 10 x 30 SANICUBIC® SC 3,0 et 4,0	ZE1237
	8 (16)	Sekskanthodeskrue M 12 x 30 SANICUBIC® SC 5,5 et 7,5	ZE1516
15	1 (2)	Motorenhet 3,0 kW med rotor	111103
	1 (2)	Motorenhet 4,0 kW med rotor	111104
	1 (2)	Motorenhet 5,5 kW med rotor	111107
	1 (2)	Motorenhet 7,5 kW med rotor	111108
16	4 (8)	Sekskanthodeskrue M 12 x 25	ZE1130
	4 (8)	Elastisk skive B 12	ZE1302
17	1 (2)	Rotor D=200 mm, 3,0 kW	120134c
	1 (2)	Rotor D=220 mm, 4,0 kW	120134e
	1 (2)	Rotor D=230 mm, 5,5 kW	120142a
	1 (2)	Rotor D=250 mm, 7,5 kW	120142b
18	1 (2)	Vinklet kontakt R 3/8"	117031
19	2 (4)	Slangeklemme	ZE1582
20	1 (2)	Tappeslange	117030
23	8 (16)	Sekskantmutter M 12	ZE1382
	8 (16)	Elastisk ring B 12	ZE1302
24	1 (2)	Flat tetning DN 100	ZE1121
25	1 (2)	Oljebad 0,8 l, SANICUBIC® SC 3,0 et 4,0	14009
	1 (2)	Oljebad 1,0 l, SANICUBIC® SC 5,5 et 7,5	14009
26	1 (2)	Plugg for etterfylling av olje G 3/8"	140025
	1 (2)	Tetningsring 17 x 22 x 1,5 mm, Cu	140030
27	4 (8)	Skrue med innvendig sekskanthode M 16 x 30	ZE1647
28	1 (2)	O-ring 236 x 3 SANICUBIC® SC 3,0 et 4,0	120131
	1 (2)	O-ring 270 x 3 SANICUBIC® SC 5,5 et 7,5	120139

Service information : www.sfa.biz

SERVICE HELPLINES

France

Tel. 01 44 82 25 55
Fax. 03 44 94 46 19

United Kingdom

Tel. 08457 650011
(Call from a land line)
Fax. 020 8842 1671

Ireland

Tel. 1850 23 24 25
(LOW CALL)
Fax. + 353 46 97 33 093

Australia

Tel. +1300 554 779
Fax. +61.2.9882.6950

Deutschland

Tel. 0800 82 27 82 0
Fax. (060 74) 30928-90

Italia

Tel. 0382 6181
Fax. +39 0382 618200

España

Tel. +34 93 544 60 76
Fax. +34 93 462 18 96

Portugal

Tel. +35 21 911 27 85
sfa@sfa.pt

Suisse Schweiz Svizzera

Tel. +41 (0)32 631 04 74
Fax. +41 (0)32 631 04 75

Benelux

Tel. +31 475 487100
Fax. +31 475 486515

Sverige

Tel. +08-404 15 30

Norge

Tel. +08-404 15 30

Polska

Tel. (+4822) 732 00 33
Fax. (+4822) 751 35 16

РОССИЯ

Tel. (495) 258 29 51
Fax. (495) 258 29 51

Česká Republika

Tel. +420 266 712 855
Fax. +420 266 712 856

România

Tel. +40 724 364 543
service@saniflo.ro

Türkiye

Tel. +90 212 275 30 88

Brazil

Tel. (11) 3052-2292

中国

Tel. +86(0)21 6218 8969
Fax. +86(0)21 6218 8970

South Africa

Tel. +27 (0) 21 286 00 28