

SFA

CUBIC 1 WP
1668 10.16

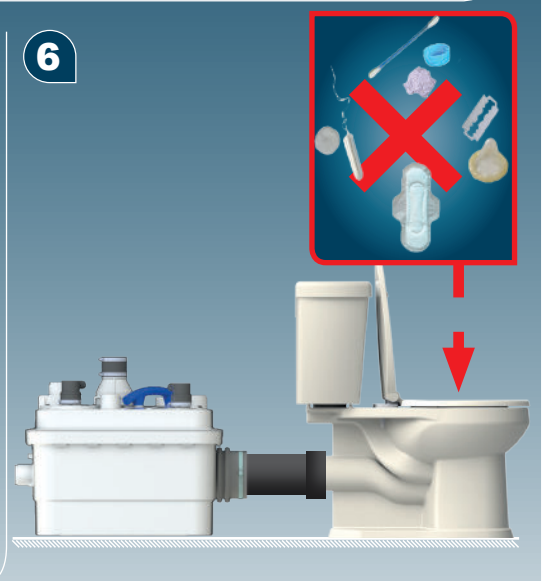
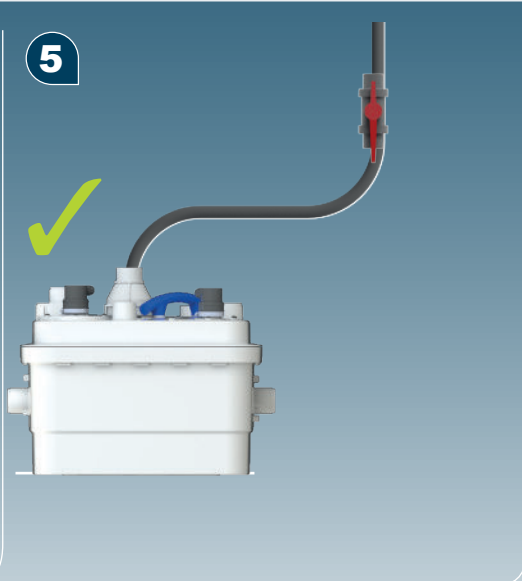
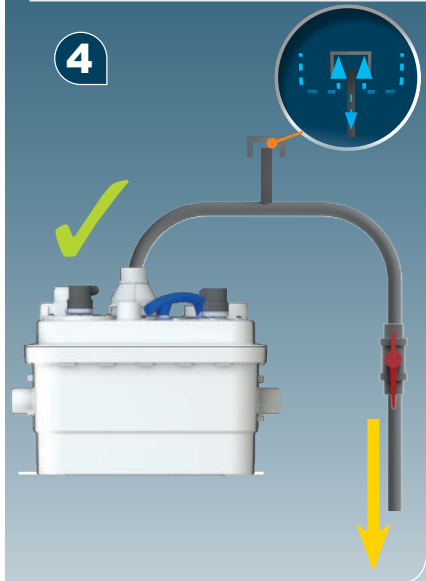
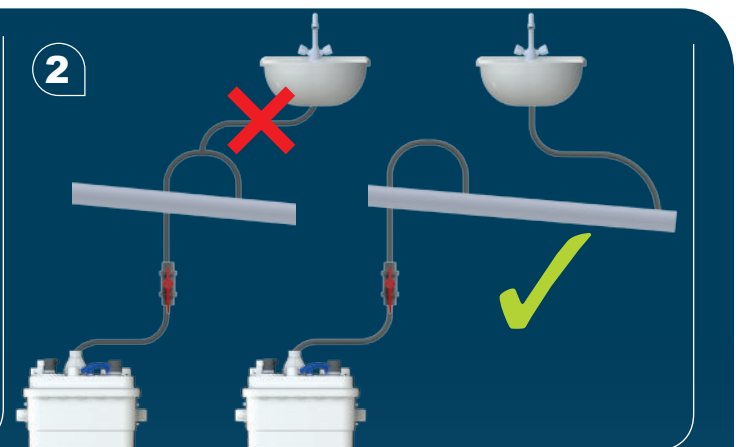
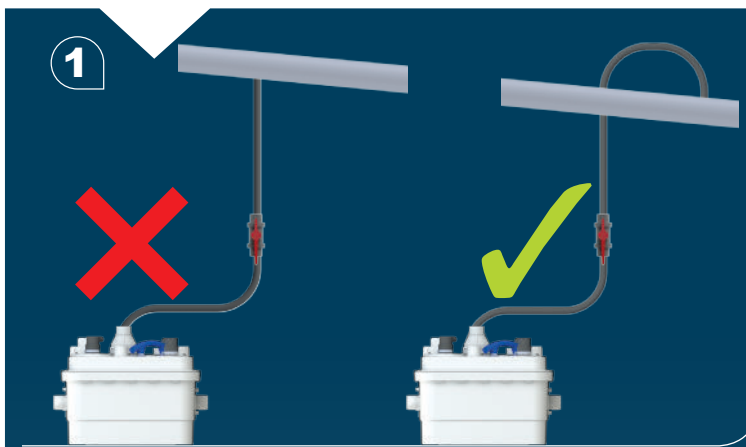
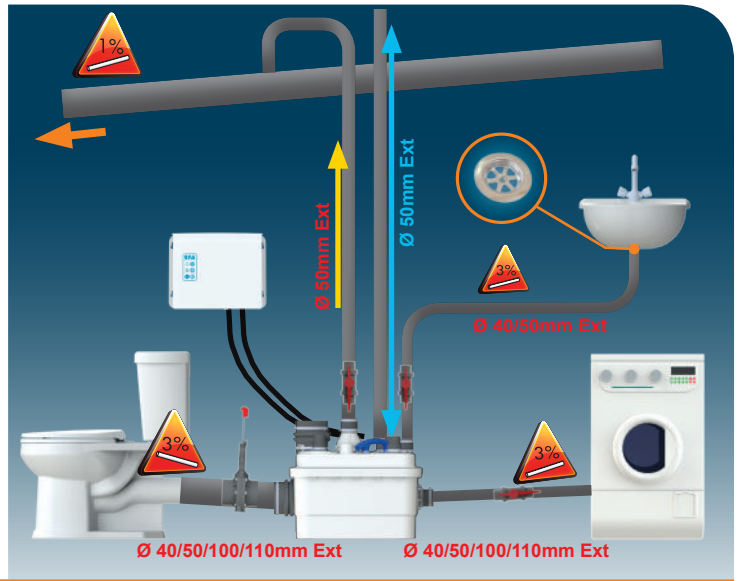
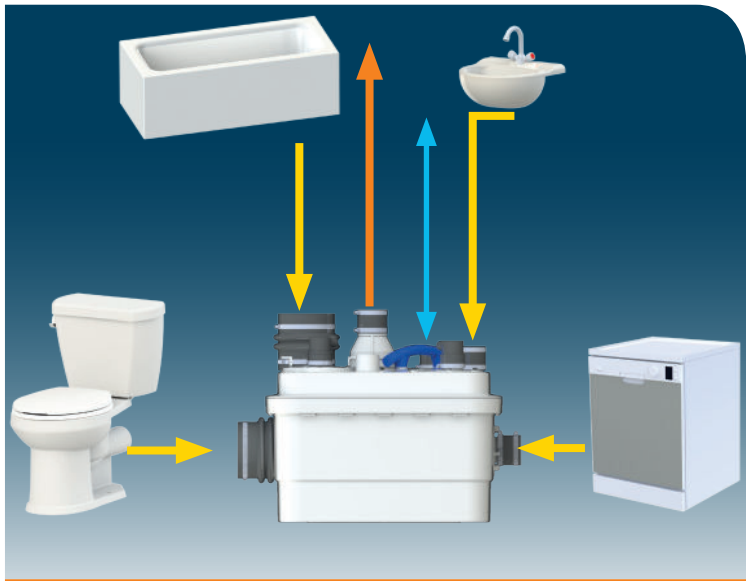
SFA

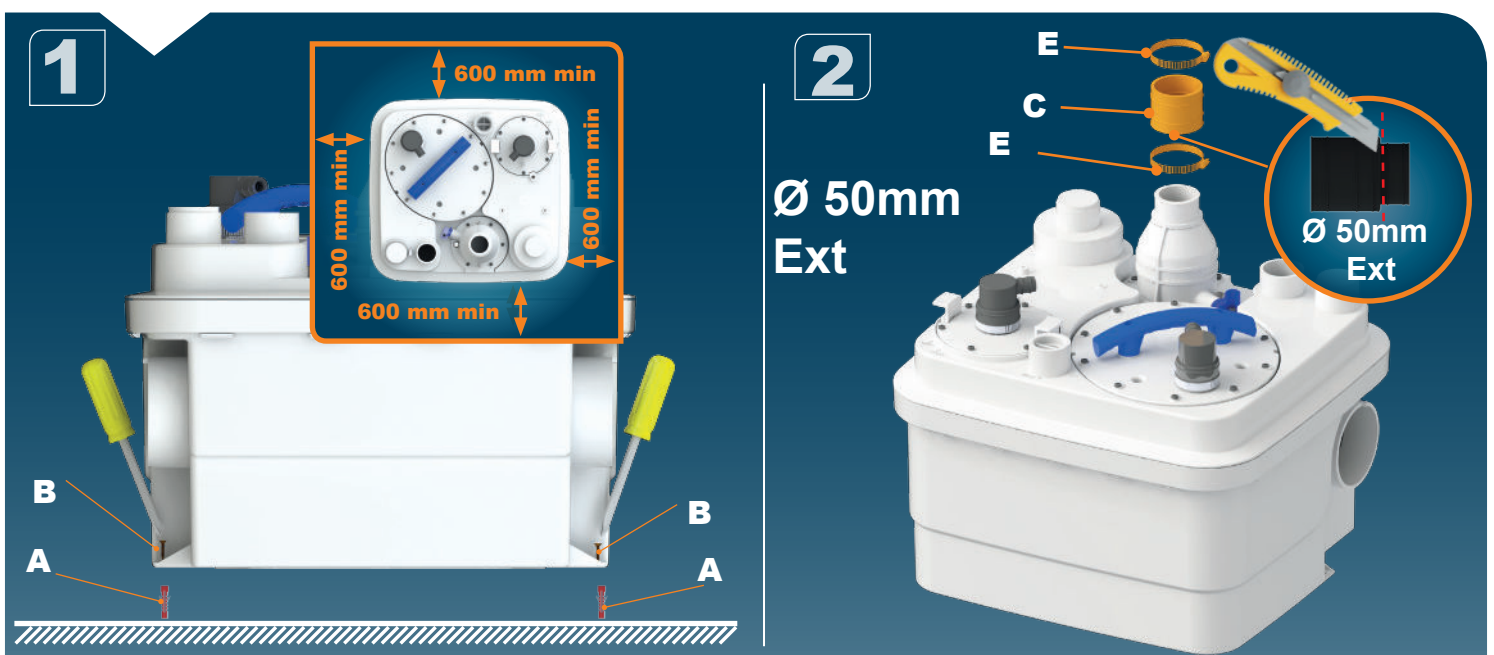
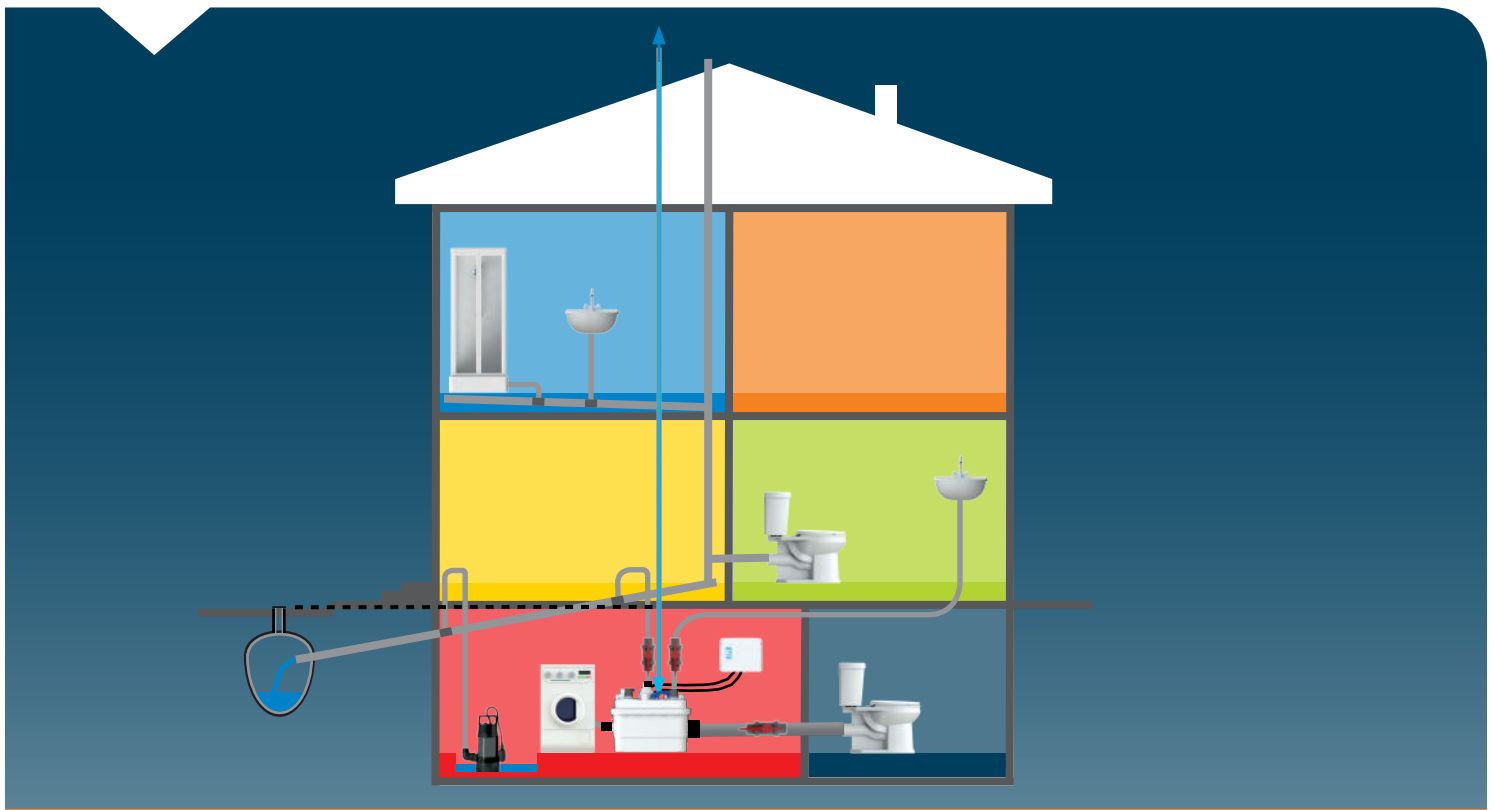


SANICUBIC[®]1 WP

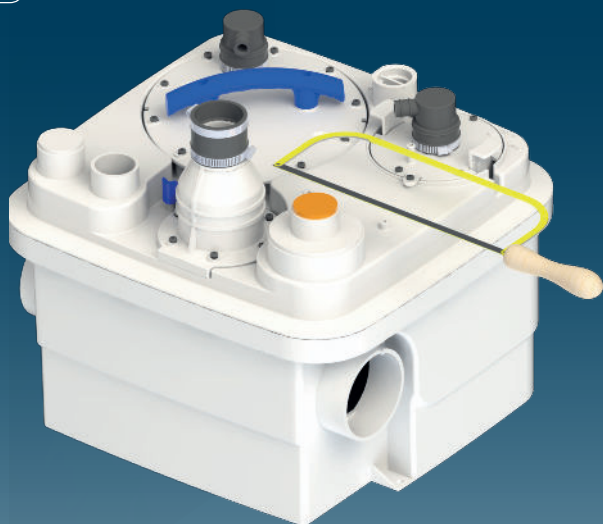
- | | | | | | |
|----|--------------------------------|----|--------------------------------------|----|-------------------------------|
| FR | NOTICE D'INSTALLATION | SE | INSTALLATIONSANVISNING | RO | MANUAL DE INSTALARE |
| UK | INSTALLATION INSTRUCTIONS | DK | INSTALLATIONSVEJLEDNING | CZ | NÁVOD K INSTALACI A POUŽÍVÁNÍ |
| DE | INSTALLATIONSHINWEISE | NO | INSTALLASJONSANVISING | TR | KURULUM KILAVUZU |
| IT | ISTRUZIONI PER L'INSTALLAZIONE | FI | ASENNUSOHJEET | CN | 用户应保留安装指南以备用 |
| ES | MANUAL DE INSTALACIÓN | HU | FELSZERELÉSI ÉS KEZELÉSI ÚTMUTATÓ | KR | 설치내용서 |
| BR | PT MANUAL DE INSTALAÇÃO | PL | INSTRUKCJA INSTALACJI | HR | UPUTA ZA INSTALACIJU |
| NL | INSTALLATIE VOORSCHRIFTEN | RU | ИНСТРУКЦИЯ ПО МОНТАЖУ И ЭКСПЛУАТАЦИИ | AR | بيكرتلا قرط |

CE

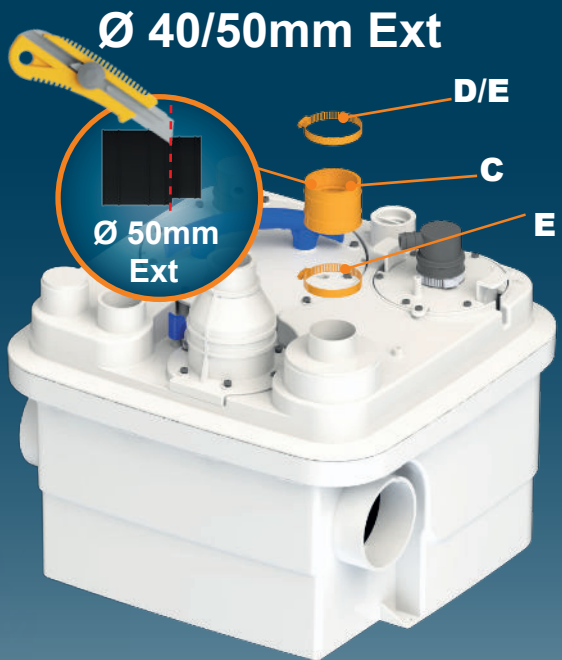




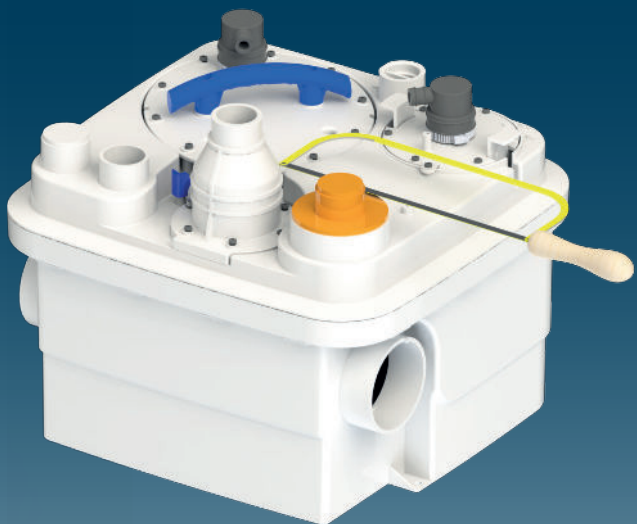
3



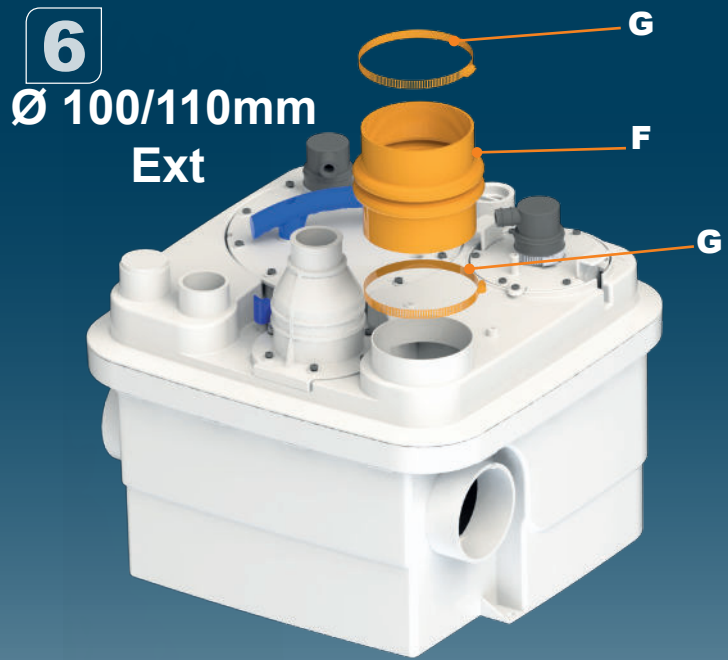
4



5



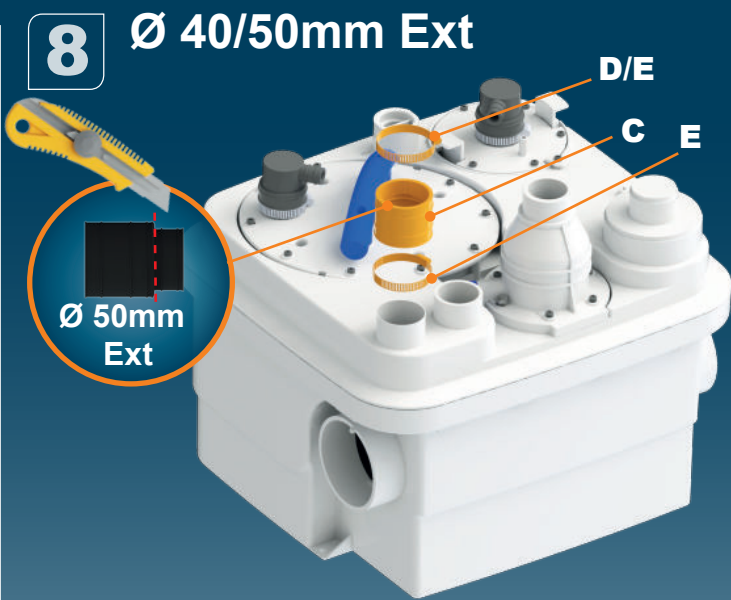
6



7



8



9

Ø 50mm Ext

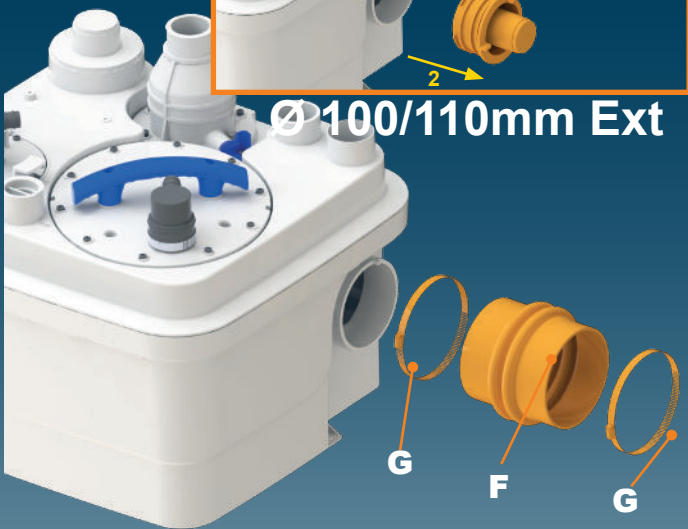
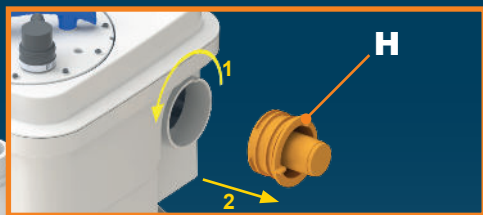


10



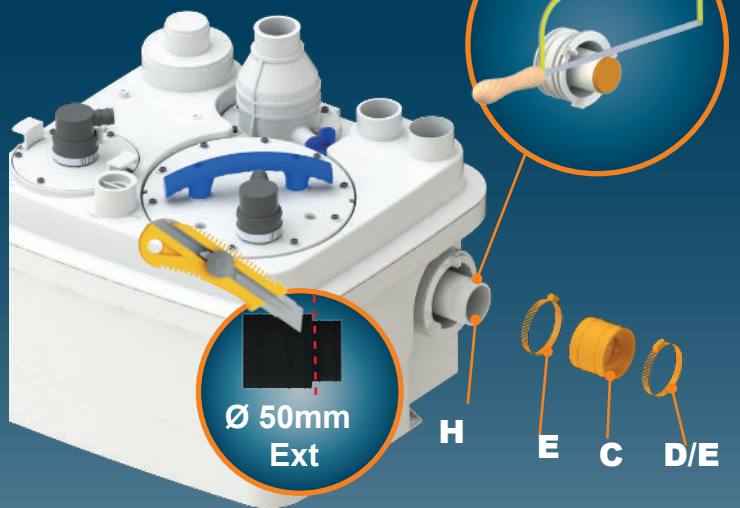
11

Ø 100/110mm Ext



12a

Ø 50mm Ext

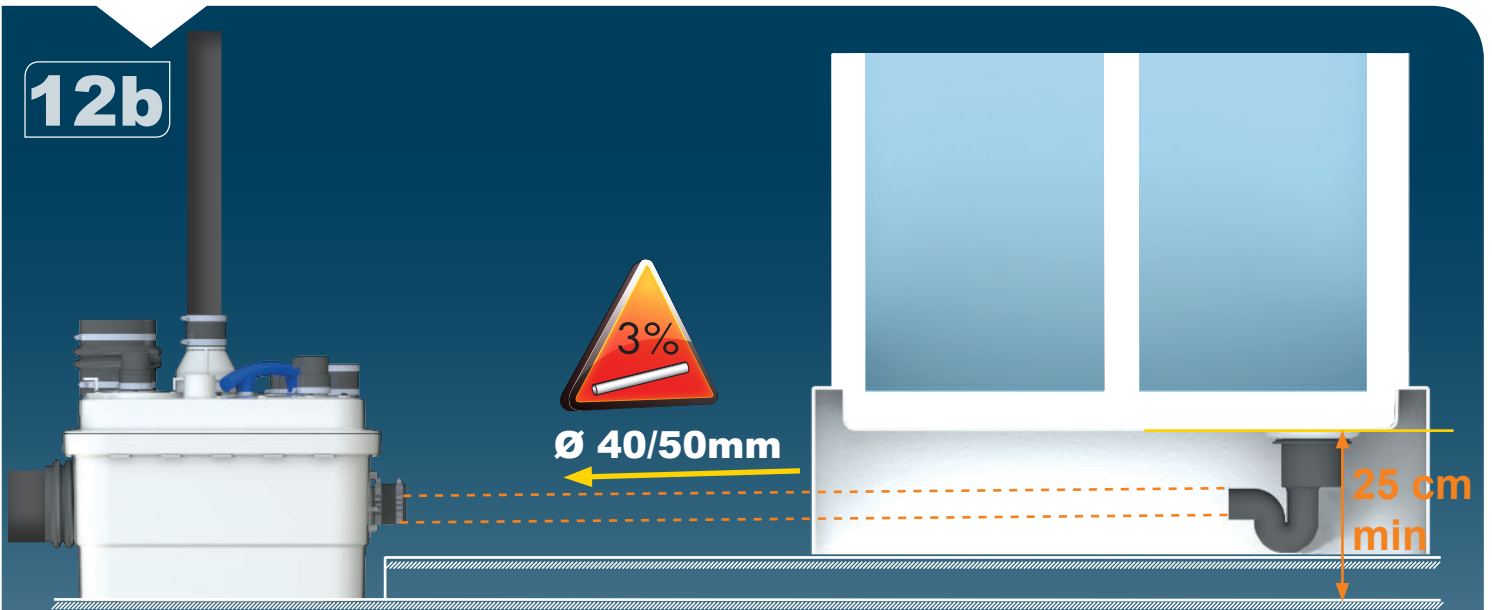


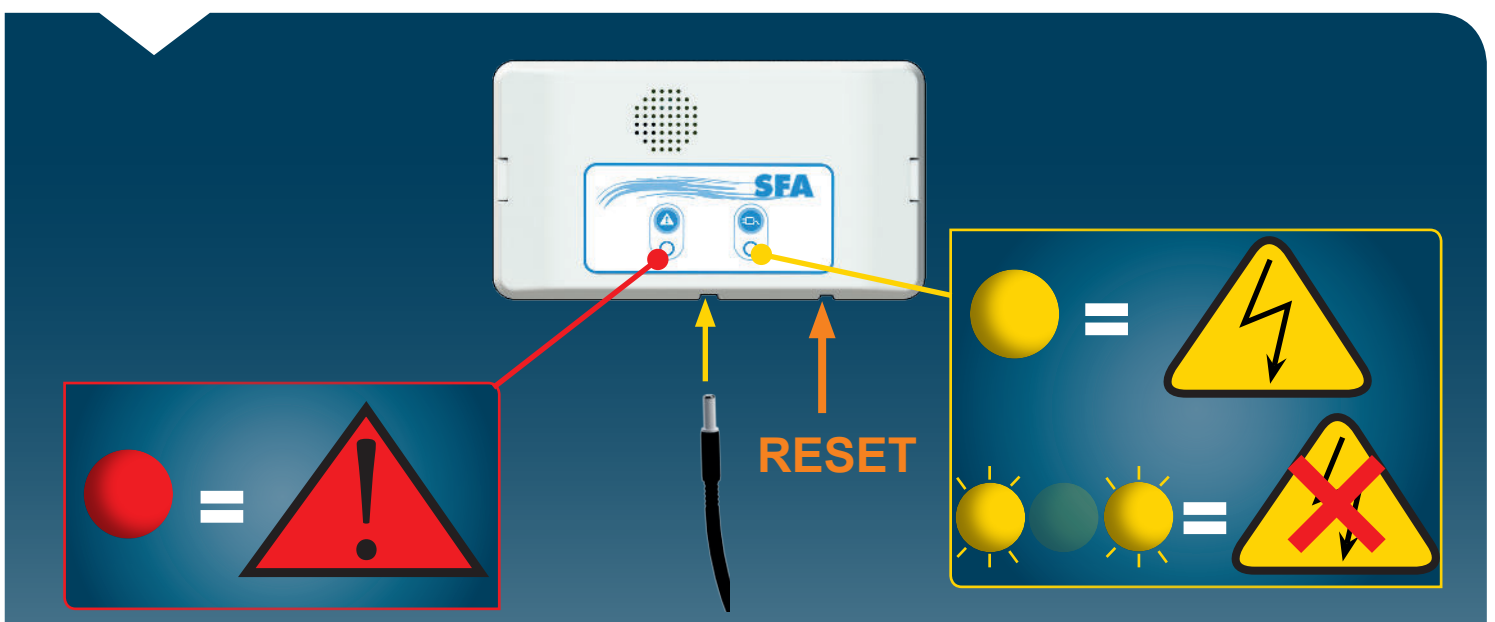
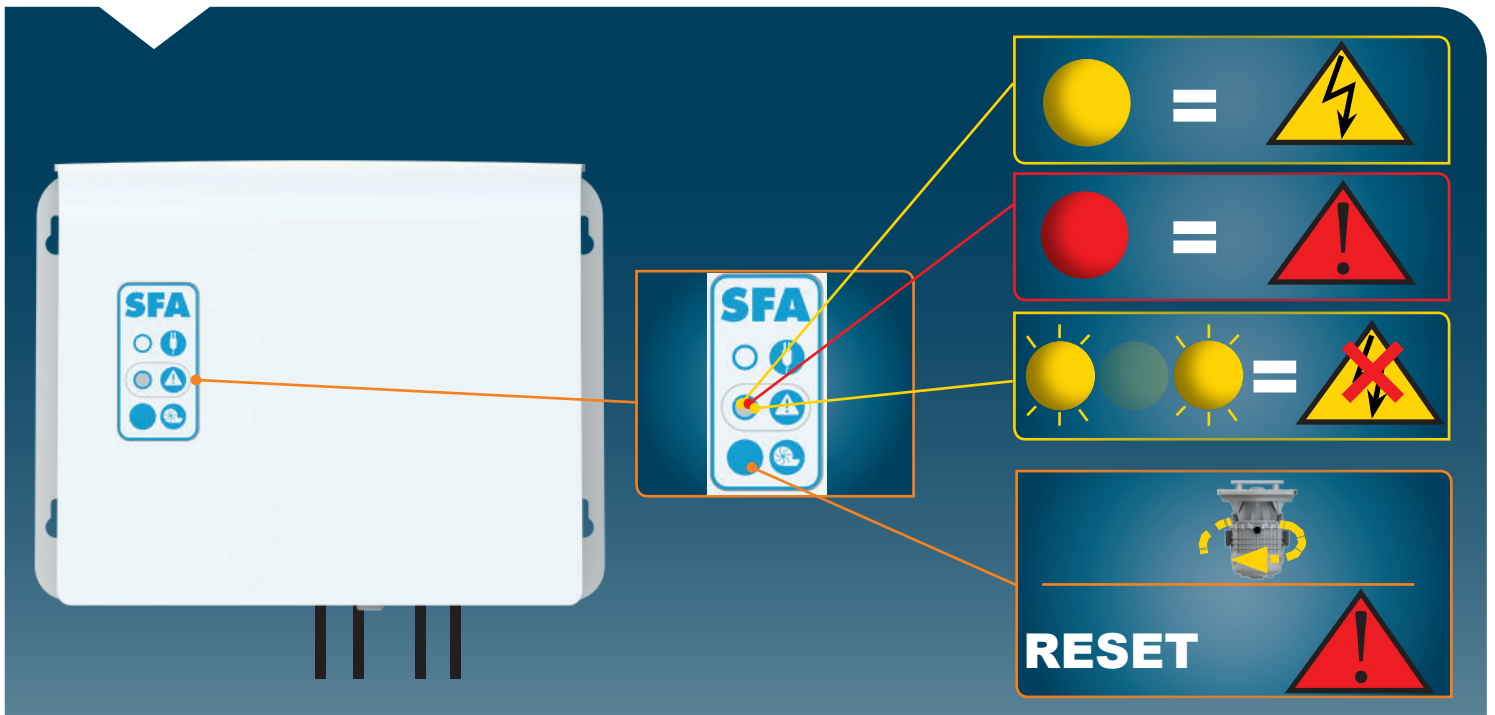
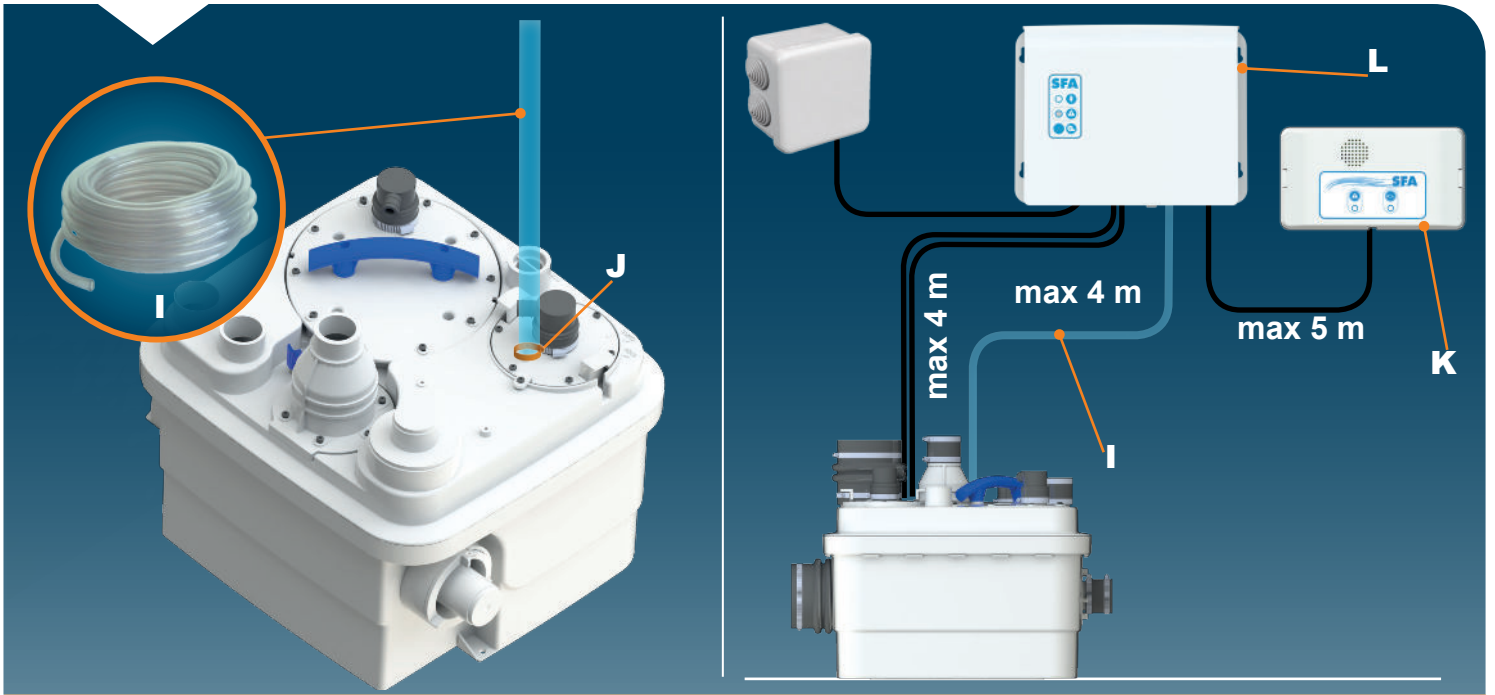
Ø 40/50mm Ext

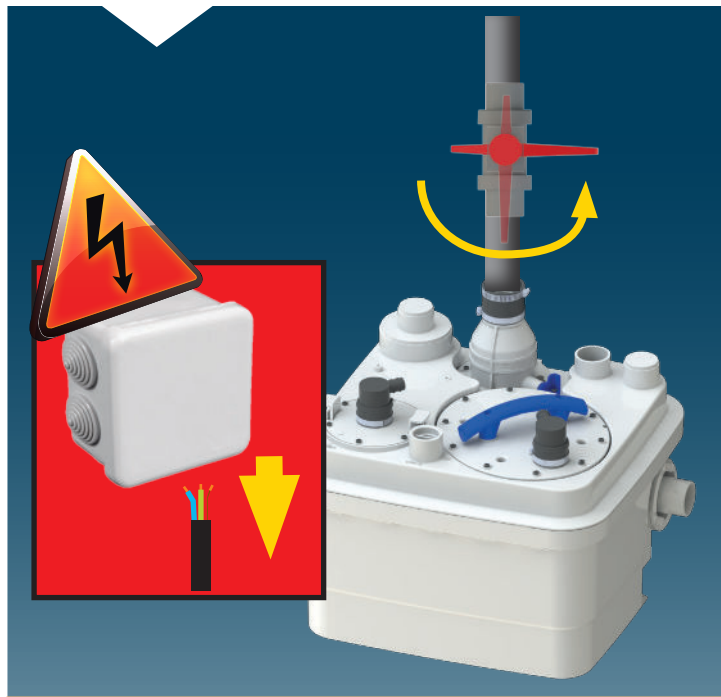
12b



Ø 40/50mm







1



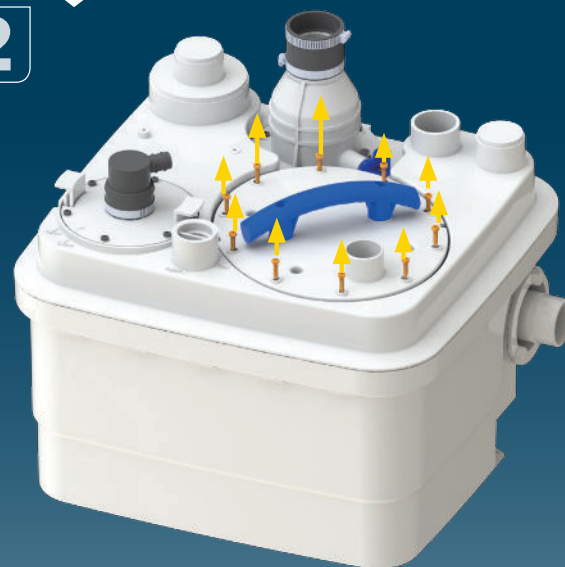
2



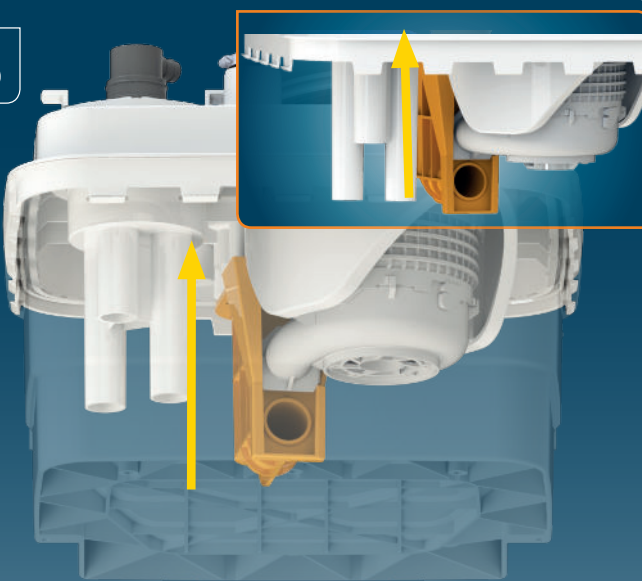
1

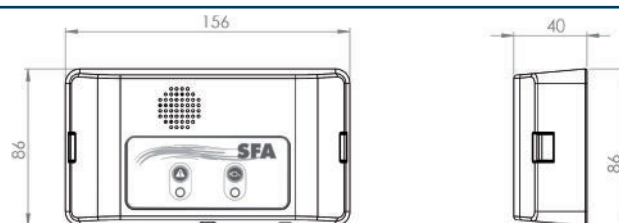
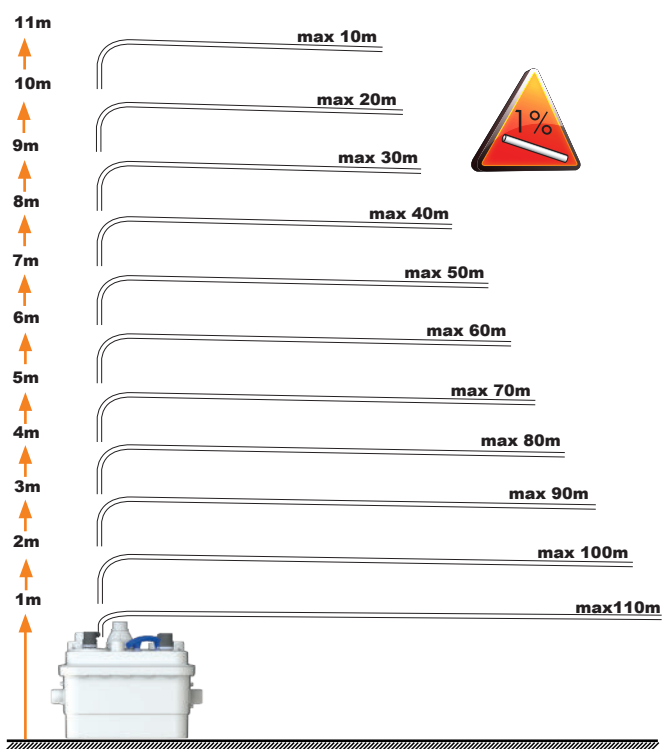
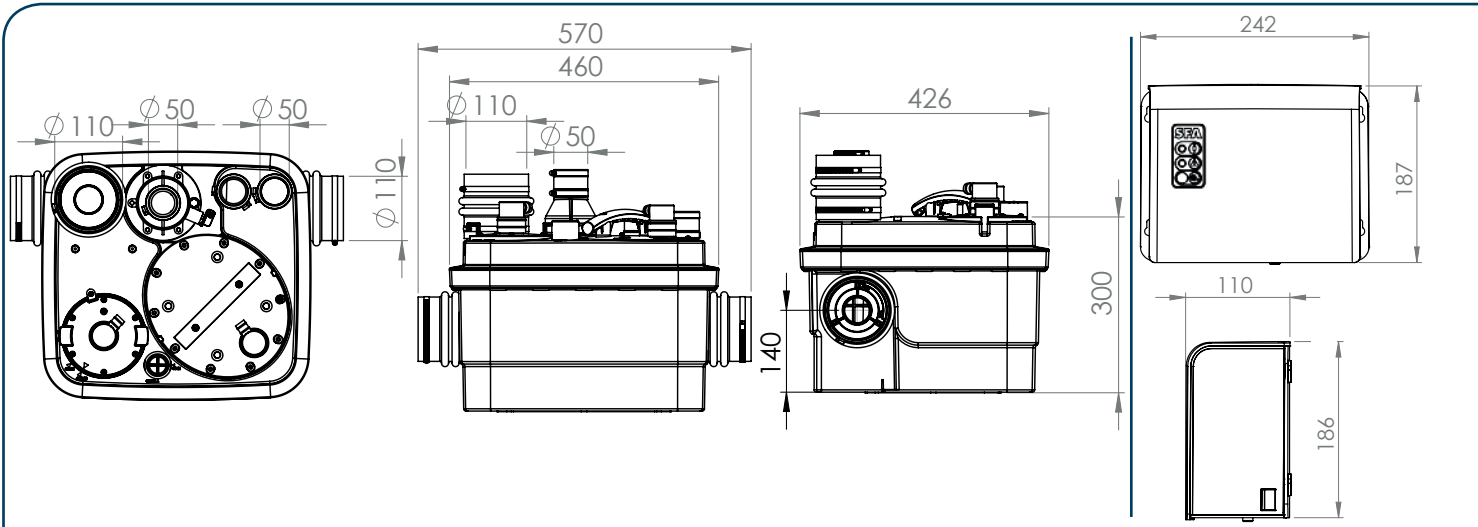


2



3





SANICUBIC 1WP

EN 12050-1

R 350

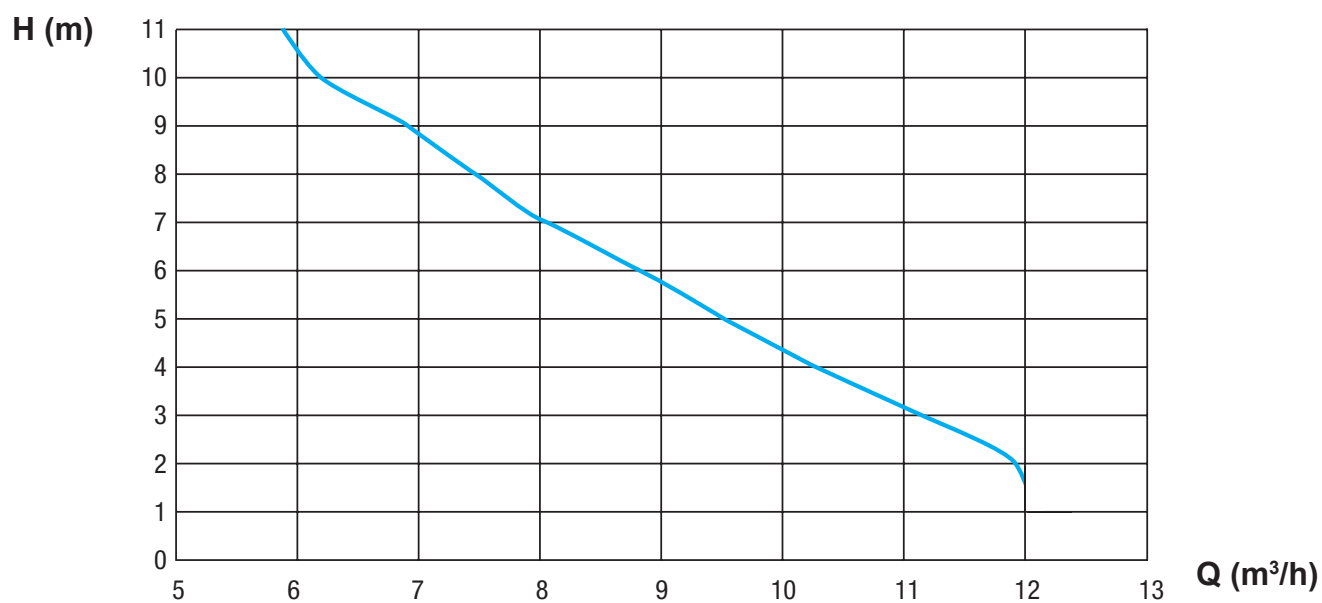
220-240 V - 50/60 Hz

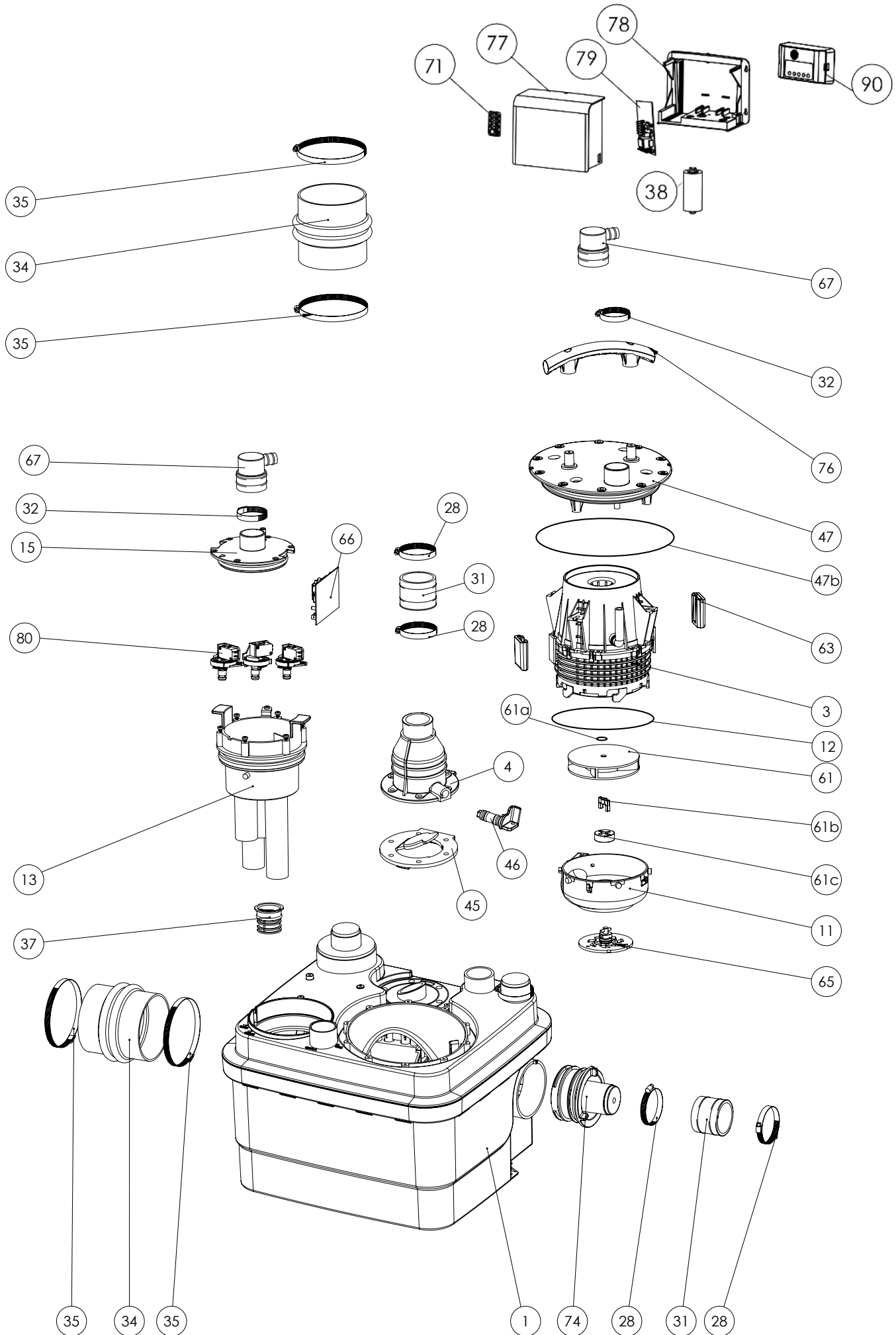
1500 W - 6A - CLASS 1

IP68 - 16 Kg

Max temperature 70°C (max 5 min)

Tank volume : 32 L





FRANCE

**SOCIÉTÉ FRANÇAISE
D'ASSAINISSEMENT**
41 bis avenue Bosquet - 75007 Paris
Tél. +33 1 44 82 39 00
Fax +33 1 44 82 39 01

UNITED KINGDOM

SANIFLO Ltd.,
Howard House, The Runway
South Ruislip Middx.,
HA4 6 SE
Tel. +44 208 842 0033
Fax +44 208 842 1671

IRELAND

SANIRISH Ltd
IDA Industrial Estate
Edenderry - County Offaly
Tel. + 353 46 9733 102
Fax + 353 46 97 33 093

AUSTRALIA

SANIFLO (Australasia) Pty Ltd
Unit 9/10, 25 Gibbes Street
Chatswood NSW 2067
Tel. +61 298 826 200
Fax +61 298 826 950

DEUTSCHLAND

SFA SANIBROY GmbH
Waldstr. 23 Geb. B5 - 63128
Dietzenbach
Tel. (060 74) 30928-0
Fax (060 74) 30928-90

ITALIA

SFA ITALIA spa
Via del Benessere, 9
27010 Sizzano (PV)
Tel. 03 82 61 81
Fax 03 82 61 8200

ESPAÑA

SFA S.L.
C/ Vinyalets, 1 - Pl. Can Vinyalets
08130 Sta. - Perpètua de Mogoda - Barcelona
Tel. +34 93 544 60 76
Fax +34 93 462 18 96

PORTUGAL

SFA, Lda.
Sintra Business Park, ed.01-1°P2710-089 SINTRA
Tel. +35 21 911 27 85
Fax +35 21 957 70 00

РОССИЯ

SFA РОССИЯ
101000 Москва - Колпачный переулок 9а
Тел. (495) 258 29 51
Факс. (495) 258 29 51

SUISSE SCHWEIZ SVIZZERA

SFA SANIBROY AG
Vorstadt 4
3380 Wangen a. A.
Tel. + 41 (0)32 631 04 74
Fax + 41 (0)32 631 04 75

BENELUX

SFA BENELUX B.V.
Voltaweg 4
6101 XK Echt (NL)
Tel. +31 475 487100
Fax +31 475 486515

SVERIGE

SANIFLO AB
BOX 797
S-191 27 Sollentuna
Tel. +46 (0)8-404 15 30
info@saniflo.se

POLSKA

SFA POLAND Sp. z o.o.
ul. Białolecka 168
03-253 Warszawa
Tel. (+4822) 732 00 32
Fax (+4822) 751 35 16

ČESKÁ REPUBLIKA

SFA-SANIBROY, spol. s r.o
Sokolovská 445/212, 180 00 Praha 8
Tel. +420 266 712 855
Fax, +420 266 712 856

ROMANIA

SFA SANIFLO S.R.L.
145B Foisorului Street District 3
31177 BUCURESTI
Tel. +40 256 245 092
Fax +40 256 245 029

TÜRKIYE

SFA SANIHYDRO LTD STI
Mecidiye Cad No:36-B Sevencan APT
34394 MECIDIYEKÖY - ISTANBUL
Tel. +90 212 275 30 88
Fax, +90 212 275 90 58

CHINA

SFA 中国
上海市静安区石门二路333弄3号振安
广场恒安大厦27C (200041)
Tel. +86(0)21 6218 8969
Fax. +86(0)21 6218 8970

KOREA

www.SFA.biz
sales@saniflo-korea.kr

South Africa

Saniflo Africa (PTY) Ltd
Unit A6 , Spearhead Business Park
Cnr. Freedom Way & Montague Drive
Montague Gardens, 7441
Tél : +27 (0) 21 286 00 28
www.saniflo.co.za

BRAZIL

SFA Brasil Equipamentos Sanitários,
Rua Maria Figueiredo 595
CEP 04002-003 SAO PAULO / SP
Tel. (11) 3052-2292
santrit@sanitrit.com.br

NEW ZEALAND

Saniflo New Zealand Ltd
PO Box 383 Royal Oak,
Auckland 1345
Tel : 09 390 4615
Fax : +61 2 9882 6950

SERVICE HELPLINES

| | TEL | FAX | | | |
|-------------------------|--------------------------------------|---------------------|-----------------|--------------------|--------------------|
| France | 01 44 82 25 55 | 03 44 94 46 19 | Benelux | +31 475 487100 | +31 475 486515 |
| United Kingdom | 08457 650011 (Call from a land line) | 020 8842 1671 | Sverige | +46 (0)8-404 15 30 | |
| Ireland | 1850 23 24 25 (LOW CALL) | + 353 46 97 33093 | Norge | +46 (0)8-404 15 30 | |
| Australia | +1300 554 779 | +61.2.9882.6950 | Polska | (+4822) 732 00 33 | (+4822) 751 35 16 |
| Deutschland | 0800 82 27 82 0 | (060 74) 30928-90 | РОССИЯ | (495) 258 29 51 | (495) 258 29 51 |
| Italia | 0382 6181 | +39 0382 618200 | Česká Republika | +420 266 712 855 | +420 266 712 856 |
| España | +34 93 544 60 76 | +34 93 462 18 96 | România | +40 256 245 092 | +40 256 245 029 |
| Portugal | +35 21 911 27 85 | +35 21 957 70 00 | Türkiye | +90 212 275 30 88 | +90 212 275 90 58 |
| Suisse Schweiz Svizzera | +41 (0)32 631 04 74 | +41 (0)32 631 04 75 | 中国 | +86(0)21 6218 8969 | +86(0)21 6218 8970 |
| | | | Brazil | (11) 3052-2292 | |

Service information : www.sfa.biz

This image shows a blank sheet of lined paper, likely from a notebook or binder. The paper is white with horizontal ruling lines. It is framed by a dark blue border. The top-left corner of the paper is cut off, creating a notch. The paper is otherwise empty of any text or markings.