



AF

REPLACEABLE BLADDER AUTOCLAVES FOR SANITARY WATER (35 - 500 lt.)

35 - 500 litres



CE Approval

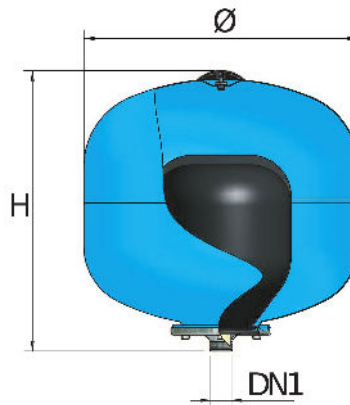


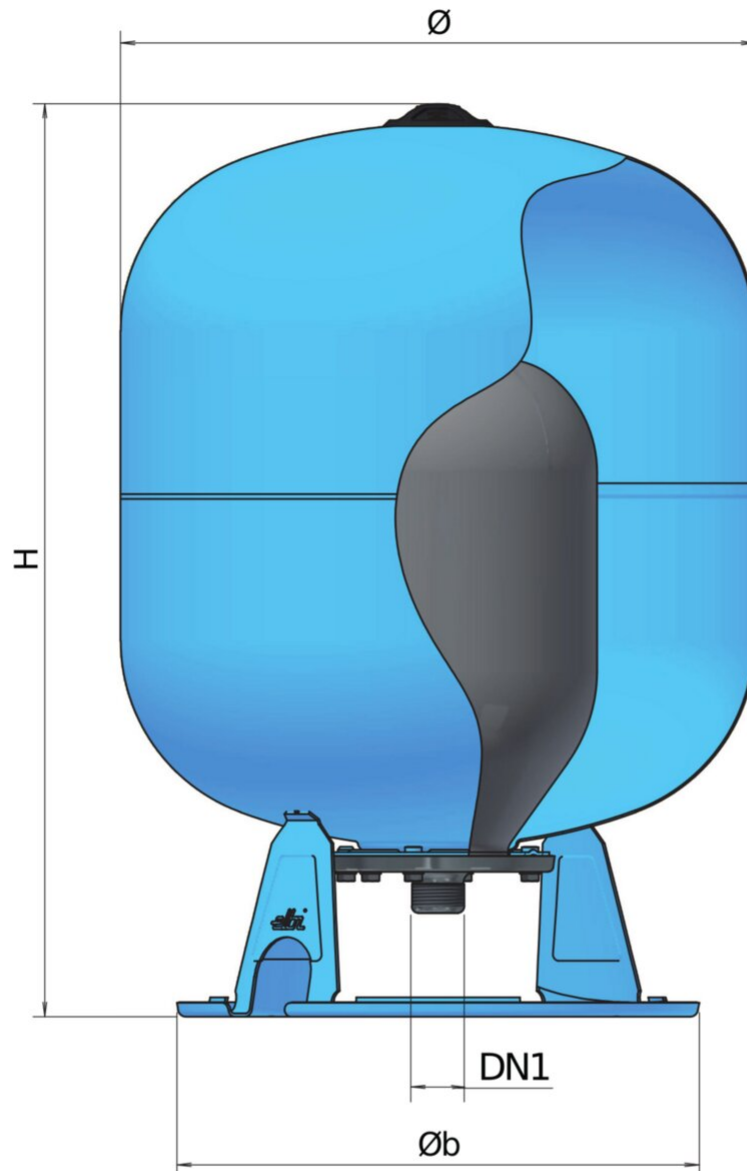
For drinking water



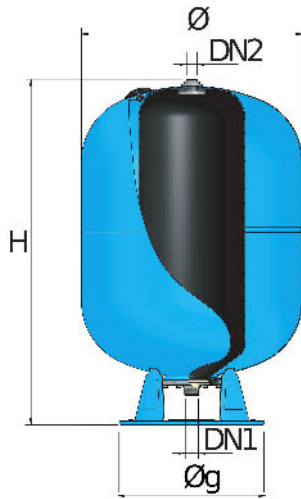
For booster pumping systems

AF 35 - AF 50

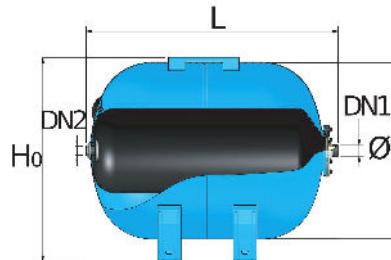




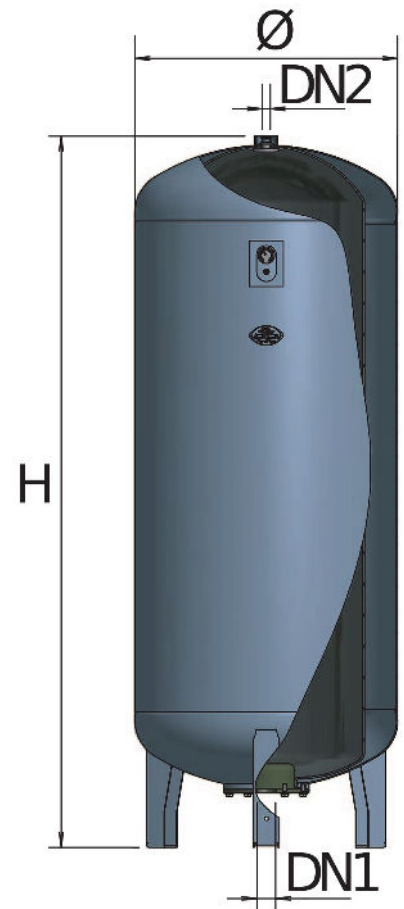
AFV 50 - 500



AFH 50 - 300



AFV 500 16 BAR



Keyword

| DN | Description |
|-----|--|
| DN1 | Water connection |
| DN2 | Auxiliary connection for valve or pressure gauge |

| Model | Code | Capacity L | Tmin | Tmax | P _{PRE} | P _{MAX} | H mm | L mm | Ø skirt mm | Ø mm | Pm mm | Packing mm | Dim. plt mm |
|---------------|---------|------------|-------|------|------------------|------------------|------|------|------------|------|-------|--------------|----------------|
| AF 35 CE | A032L31 | 35 | -10°C | 99°C | 2.5 | 10 | 405 | | | 400 | | 410x410x410 | 1000x1500x1000 |
| AF 50 CE | A052L34 | 50 | -10°C | 99°C | 2.5 | 10 | 505 | | | 400 | | 410x410x530 | |
| AFV 50 CE | A032L34 | 50 | -10°C | 99°C | 2.5 | 10 | 565 | | 330 | 400 | 695 | 410x410x610 | |
| AFV 60 CE | A032L35 | 60 | -10°C | 99°C | 2.5 | 10 | 710 | | 330 | 400 | 830 | 410x410x755 | |
| AFV 80 CE | A032L37 | 80 | -10°C | 99°C | 2.5 | 10 | 820 | | 330 | 400 | 930 | 410x410x855 | |
| AFV 100 CE | A032L38 | 100 | -10°C | 99°C | 2.5 | 10 | 740 | | 330 | 500 | 910 | 510x510x825 | |
| AFV 150 CE | A032L43 | 150 | -10°C | 99°C | 2.5 | 10 | 950 | | 330 | 500 | 1090 | 510x510x1035 | |
| AFV 200 CE | A032L47 | 200 | -10°C | 99°C | 2.5 | 10 | 1025 | | 485 | 600 | 1200 | 610x610x1105 | |
| AFV 300 CE | A032L51 | 300 | -10°C | 99°C | 2.5 | 10 | 1190 | | 485 | 650 | 1375 | 660x660x1285 | |
| AFV 500 CE | A032L55 | 500 | -10°C | 99°C | 2.5 | 10 | 1335 | | 485 | 775 | 1560 | 785x785x1435 | |
| AFH 50 CE | A042L34 | 50 | -10°C | 99°C | 2.5 | 10 | 420 | 505 | | 400 | | 435x520x435 | |
| AFH 60 CE | A042L35 | 60 | -10°C | 99°C | 2.5 | 10 | 485 | 650 | | 400 | | 410x685x490 | |
| AFH 80 CE | A042L37 | 80 | -10°C | 99°C | 2.5 | 10 | 485 | 765 | | 400 | | 410x775x490 | |
| AFH 100 CE | A042L38 | 100 | -10°C | 99°C | 2.5 | 10 | 580 | 685 | | 500 | | 510x720x600 | |
| AFH 200 CE | A042L47 | 200 | -10°C | 99°C | 2.5 | 10 | 675 | 945 | | 600 | | 610x1000x680 | |
| AFH 300 CE | A042L51 | 300 | -10°C | 99°C | 2.5 | 10 | 725 | 1110 | | 650 | | 660x1190x730 | |
| AFV 100/16 CE | A032R38 | 100 | -10°C | 99°C | 2.5 | 16 | 740 | | 330 | 500 | 910 | 510x510x825 | |
| AFV 200/16 CE | A032R47 | 200 | -10°C | 99°C | 2.5 | 16 | 1025 | | 485 | 600 | 1200 | 610x610x1105 | |
| AFV 300/16 CE | A032R51 | 300 | -10°C | 99°C | 2.5 | 16 | 1190 | | 485 | 650 | 1375 | 660x660x1285 | |
| AFV 500/16 CE | A032R55 | 500 | -10°C | 99°C | 2.5 | 16 | 1900 | | | 650 | 2010 | 0x0x0 | |

For larger tanks see the DL series

Connection heights (mm)

| MODEL | DN1 | DN2 |
|---------------|-----|-----|
| AF 35 CE | - | - |
| AF 50 CE | - | - |
| AFV 50 CE | 50 | - |
| AFV 60 CE | 50 | - |
| AFV 80 CE | 50 | - |
| AFV 100 CE | 50 | - |
| AFV 150 CE | 50 | - |
| AFV 200 CE | 85 | - |
| AFV 300 CE | 85 | - |
| AFV 500 CE | 90 | - |
| AFH 50 CE | - | - |
| AFH 60 CE | - | - |
| AFH 80 CE | - | - |
| AFH 100 CE | - | - |
| AFH 200 CE | - | - |
| AFH 300 CE | - | - |
| AFV 100/16 CE | 55 | - |
| AFV 200/16 CE | 115 | - |
| AFV 300/16 CE | 115 | - |
| AFV 500/16 CE | 180 | - |

Connection sizes

| MODEL | DN1 | DN2 |
|---------------|-----------|-----------------|
| AF 35 CE | G1" | - |
| AF 50 CE | G1" | - |
| AFV 50 CE | G1" | - |
| AFV 60 CE | G1" | G1/2"F / G3/4"M |
| AFV 80 CE | G1" | G1/2"F / G3/4"M |
| AFV 100 CE | G1" | G1/2"F / G3/4"M |
| AFV 150 CE | G1" | G1/2"F / G3/4"M |
| AFV 200 CE | G1"1/4 | G1/2"F / G3/4"M |
| AFV 300 CE | G1"1/4 | G1/2"F / G3/4"M |
| AFV 500 CE | G1"1/4 | G1/2"F / G3/4"M |
| AFH 50 CE | G1" | - |
| AFH 60 CE | G1" | G1/2"F / G3/4"M |
| AFH 80 CE | G1" | G1/2"F / G3/4"M |
| AFH 100 CE | G1" | G1/2"F / G3/4"M |
| AFH 200 CE | G1"1/4 | G1/2"F / G3/4"M |
| AFH 300 CE | G1"1/4 | G1/2"F / G3/4"M |
| AFV 100/16 CE | 1"NPT | G1/2"F / G3/4"M |
| AFV 200/16 CE | 1"1/4 NPT | G1/2"F / G3/4"M |
| AFV 300/16 CE | 1"1/4 NPT | G1/2"F / G3/4"M |
| AFV 500/16 CE | G2" | G1/2"F / G3/4"M |

Reference standards

Declaration of conformity to essential requirements specified in 2014/68/UE Directive

Warranty: 2 years**Materials**

Cylinder in carbon steel. External epoxy blue paint treatment (RAL 5015).

Replaceable bladder in EPDM rubber suitable for contact with potable water.

For models provided with bulk head fitting, after vessel filling (ie. once water starts to leak out of the hole on the fitting) the connection on it may be used for a pressure gauge or a safety valve otherwise it must be plugged.